



PLANETENMOTOR EPM

ORBITAL MOTOR EPM

ANWENDUNG

- o Förderbänder
- o Metallbearbeitungsmaschinen
- o Fördertechnik für Roboter
- o Landmaschinen
- o Nahrungsmittelindustrie
- o Rasenmäher
- o u.a.

APPLICATION

- o Conveyors
- o Metal working machines
- o Feeding mechanism of robots and maipulators
- o Agricultural machines
- o Food industries
- o Grass cutting machines
- o etc.

BAUWEISE UND AUSFÜHRUNGEN

- o Modell: Längsschieberventil, Planetensatz
- o Ovalflansch, Quadratflansch oder Radflansch
- o Anschlüsse: Hinten oder seitlich, metrisches oder BSPP Gewinde
- o Wellen: Zylindrisch, konisch oder verzahnt
- o Drehzahlsensorik
- o Sonderausführungen

CONSTRUCTION AND OPTIONS

- o Model: Spool valve, gerotor
- o Mounting: Flange and wheel mount
- o Ports: Rear or side ports, metric or BSPP threaded ports
- o Shafts: Straight, tapered or splined
- o Speed sensing
- o Other special features

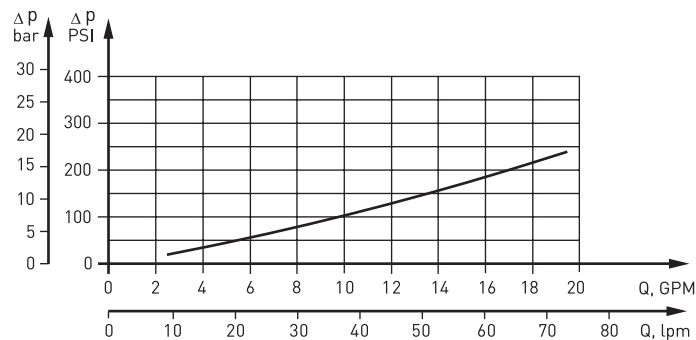
ÜBERSICHT OVERVIEW

Max. Schluckvolumen	Max. Displacement	cm ³ /U	ccm/rev	[in ³ /rev]	623,6 [38.05]
Max. Drehzahl	Max. Speed	U/min	rpm		1815
Max. Drehmoment	Max. Torque	daNm		[in/lb]	64 [5565]
Max. Leistungsabgabe	Max. Output	kW		[HP]	12,8 [17.1]
Max. Druckgefälle	Max. Pressure drop	bar		[PSI]	175 [2540]
Max. Ölstrom	Max. Oil flow	l/min	lpm	[GPM]	75 [19.8]
Min. Drehzahl	Min. Speed	U/min	rpm		10
Hydrauliköl	Pressure fluid				HLP (DIN 51524) oder or HM (ISO 6743/4)
Öltemperatur	Temperature range	° C		[° F]	-40 ÷ 140 [-40 ÷ 284]
Optimalviskosität	Optimal viscosity range	mm ² /s		[SUS]	20 ÷ 75 [98 ÷ 347]
Filtrierung	Filtration				ISO code 20/16 (min. empfohlene Filtrierung recommended filtration 25 µm)

ÖLSTROM LECKÖLLEITUNG OIL FLOW DRAIN LINE

Druckgefälle Pressure drop bar [PSI]	Viskosität Viscosity mm ² /s [SUS]	Ölstrom Oilflow l/min lpm [GPM]
140 [2030]	20 [98]	2,5 [.660]
	35 [164]	1,8 [.476]
210 [3045]	20 [98]	3,5 [.925]
	35 [164]	2,8 [.740]

DRUCKVERLUST PRESSURE LOSSES



TECHNISCHE DATEN

TECHNICAL DATA

Für EPM Motoren mit C, CO, SH, K und SA Wellen (Dichtungsdurchmesser Ø28,56)
 For EPM motors with C, CO, SH, K and SA shafts (sealing diameter Ø28,56)

Typ Type		EPM 25	EPM 32	EPM 40	EPM 50	EPM 80	EPM 100	EPM 125
Schluckvolumen Displacement	cm ³ /U ccm/rev [in ³ /rev]	28,4 [1.73]	34,5 [2.10]	40,5 [2.47]	49,5 [3.02]	79,2 [4.83]	99,0 [6.04]	123,8 [7.55]
Max. Drehzahl Max. Speed U/min RPM	Dauerbetrieb Continuous	1408	1450	1480	1210	755	605	486
	Int. * Int. *	1584	1594	1555	1515	945	755	605
Max. Drehmoment Max. Torque daNm [lb-in]	Dauerbetrieb Continuous	3,3 [290]	4,3 [380]	6,2 [550]	9,4 [835]	15,1 [1340]	19,3 [1710]	23,7 [2100]
	Int. * Int. *	4,7 [415]	6,1 [540]	8,2 [730]	11,9 [1050]	19,5 [1725]	23,7 [2100]	29,8 [2640]
	Spitze ** Peak **	6,7 [595]	8,6 [760]	10,7 [950]	14,3 [1285]	22,4 [1985]	27,5 [2435]	36,5 [3235]
Max. Leistungsabgabe Max. Output kW [HP]	Dauerbetrieb Continuous	4,5 [6.00]	5,8 [7.80]	8,4 [11.50]	10,1 [13.50]	10,2 [13.70]	10,5 [14.10]	10,2 [13.70]
	Int. * Int. *	6,1 [8.20]	7,8 [10.50]	11,6 [15.50]	12,2 [16.10]	12,5 [16.80]	12,8 [17.10]	12,0 [16.10]
Max. Druckgefälle Max. Pressure drop bar [PSI]	Dauerbetrieb Continuous	100 [1450]	100 [1450]	120 [1750]	140 [2030]	140 [2030]	140 [2030]	140 [2030]
	Int. * Int. *	140 [2030]	140 [2030]	155 [2250]	175 [2540]	175 [2540]	175 [2540]	175 [2540]
	Spitze ** Peak **	225 [3260]	225 [3260]	225 [3260]	225 [3260]	225 [3260]	225 [3260]	225 [3260]
Max. Ölstrom Max. Oil flow l/min lpm [GPM]	Dauerbetrieb Continuous	40 [10.5]	50 [13.2]	60 [15.9]	60 [15.9]	60 [15.9]	60 [15.9]	60 [15.9]
	Int. * Int. *	45 [11.9]	55 [14.5]	70 [18.5]	75 [19.8]	75 [19.8]	75 [19.8]	75 [19.8]
Max. Eingangsdruck Max. Inlet pressure bar [PSI]	Dauerbetrieb Continuous	175 [2540]	175 [2540]	175 [2540]	175 [2540]	175 [2540]	175 [2540]	175 [2540]
	Int. * Int. *	200 [2900]	200 [2900]	200 [2900]	200 [2900]	200 [2900]	200 [2900]	200 [2900]
	Spitze ** Peak **	225 [3260]	225 [3260]	225 [3260]	225 [3260]	225 [3260]	225 [3260]	225 [3260]
Max. Rücklaufdruck mit Leckölleitung Max. Return pressure with drain line bar [PSI]	Dauerbetrieb Continuous	175 [2540]	175 [2540]	175 [2540]	175 [2540]	175 [2540]	175 [2540]	175 [2540]
	Int. * Int. *	200 [2900]	200 [2900]	200 [2900]	200 [2900]	200 [2900]	200 [2900]	200 [2900]
	Spitze ** Peak **	225 [3260]	225 [3260]	225 [3260]	225 [3260]	225 [3260]	225 [3260]	225 [3260]
Max. Anlaufdruck mit unbelasteter Welle Max. Starting pressure with unloaded shaft	bar [PSI]	10 [145]	10 [145]	10 [145]	10 [145]	10 [145]	10 [145]	9 [131]
Min. Anlaufmoment bei max. Druckgefälle Min. Starting torque at max. pressure drop daNm [lb-in]	Dauerbetrieb Continuous	3,0 [265]	4,0 [355]	5,4 [480]	7,8 [690]	13,2 [1170]	16,6 [1470]	20,7 [1830]
	Int. * Int. *	4,2 [370]	5,6 [500]	6,8 [600]	10,0 [885]	16,8 [1490]	21,0 [1860]	26,6 [2360]
Min. Drehzahl *** Min. Speed ***	U/min RPM	20	15	10	10	10	10	10
Gewicht Weight kg [lb]	EPM (F) (N)	5,6 [12.3]	5,6 [12.3]	5,7 [12.6]	5,8 [12.8]	5,9 [13.2]	6,1 [13.5]	6,2 [13.7]
	EPM-W (N)	5,3 [11.7]	5,3 [11.7]	5,4 [11.9]	5,5 [12.1]	5,6 [12.3]	5,8 [12.8]	5,9 [13.0]
Für Hintenanschluss For rear ports +0,450 [.992]	EPM-Q (N)	5,0 [11.1]	5,0 [11.1]	5,1 [11.2]	5,2 [11.5]	5,3 [11.7]	5,5 [12.1]	5,6 [12.3]

- * Intermittierend: Betrieb max. 10% pro Minute
- ** Spitze: max. 1% pro Minute
- *** Für Drehzahlen kleiner der min. Drehzahl sprechen Sie uns bitte an.
- Intermittierende Druckgefälle und Ölströme dürfen nicht gleichzeitig erreicht werden.
- Minimale Viskosität 13 mm²/s [70 SUS] bei 50 °C [122 °F]
- Maximale Öltemperatur während des Betriebs 82 °C [180 °F]
- Die Lebensdauer der Motoren kann erhöht werden, wenn die Antriebswelle 10-15 Minuten vor voller Belastung frei läuft.

- * Intermittent: Working max. 10% per minute
- ** Peak: max. 1% per minute
- *** For speeds lower than given, please consult us.
- Int. speed and pressure should not occur simultaneously.
- Recommended min. oil viscosity 13 mm²/s [70 SUS] at 50 °C [122 °F]
- Recommended max. system operating temperature is 82 °C [180 °F]
- To assure optimum motor life fill with fluid prior to loading and run at moderate load and speed for 10-15 minutes.

TECHNISCHE DATEN

TECHNICAL DATA

Für EPM Motoren mit C, CO, SH, K und SA Wellen (Dichtungsdurchmesser Ø28,56)
 For EPM motors with C, CO, SH, K and SA shafts (sealing diameter Ø28,56)

Typ Type		EPM 160	EPM 200	EPM 250	EPM 315	EPM 400	EPM 500	EPM 630
Schluckvolumen Displacement	cm ³ /U ccm/rev [in ³ /rev]	158,4 [9.66]	198,0 [12.10]	247,5 [15.10]	316,8 [19.30]	396,0 [24.16]	495,0 [30.20]	623,6 [38.05]
Max. Drehzahl Max. Speed U/min RPM	Dauerbetrieb Continuous	378	303	242	190	150	120	95
	Int. * Int. *	472	378	303	236	189	150	120
Max. Drehmoment Max. Torque daNm [lb-in]	Dauerbetrieb Continuous	31,3 [2770]	36,6 [3240]	38,0 [3360]	38,0 [3360]	36,0 [3190]	39,0 [3452]	44,0 [3895]
	Int. * Int. *	37,8 [3345]	45,6 [4035]	58,3 [5160]	56,0 [4960]	59,0 [5240]	57,0 [5045]	64,0 [5665]
	Spitze ** Peak **	43,8 [3880]	55,0 [4870]	68,5 [6060]	85,0 [7505]	85,4 [7060]	78,0 [69,03]	82,0 [7257]
Max. Leistungsabgabe Max. Output kW [HP]	Dauerbetrieb Continuous	10,1 [13.50]	10,0 [13.50]	7,5 [10.00]	5,8 [7.90]	4,6 [6.20]	3,5 [4.70]	3,3 [4.40]
	Int. * Int. *	12,1 [16.20]	12,0 [16.10]	12,0 [16.10]	9,0 [12.10]	7,8 [10.50]	7,2 [9.70]	5,6 [7.50]
Max. Druckgefälle Max. Pressure drop bar [PSI]	Dauerbetrieb Continuous	140 [2030]	140 [2030]	110 [1600]	90 [1015]	70 [1015]	60 [870]	55 [800]
	Int. * Int. *	175 [2540]	175 [2540]	175 [2540]	140 [2030]	115 [1665]	90 [1305]	80 [110]
	Spitze ** Peak **	225 [3260]	225 [3260]	225 [3260]	225 [3260]	180 [2610]	130 [1885]	110 [1740]
Max. Ölstrom Max. Oil flow l/min lpm [GPM]	Dauerbetrieb Continuous	60 [15.9]	60 [15.9]	60 [15.9]	60 [15.9]	60 [15.9]	60 [15.9]	60 [15.9]
	Int. * Int. *	75 [19.8]	75 [19.8]	75 [19.8]	75 [19.8]	75 [19.8]	75 [19.8]	75 [19.8]
Max. Eingangsdruck Max. Inlet pressure bar [PSI]	Dauerbetrieb Continuous	175 [2540]	175 [2540]	175 [2540]	175 [2540]	175 [2540]	140 [2030]	140 [2030]
	Int. * Int. *	200 [2900]	200 [2900]	200 [2900]	200 [2900]	200 [2900]	175 [2540]	175 [2540]
	Spitze ** Peak **	225 [3260]	225 [3260]	225 [3260]	225 [3260]	225 [3260]	225 [3260]	225 [3260]
Max. Rücklaufdruck mit Leckölleitung Max. Return pressure with drain line bar [PSI]	Dauerbetrieb Continuous	175 [2540]	175 [2540]	175 [2540]	175 [2540]	175 [2540]	140 [2030]	140 [2030]
	Int. * Int. *	200 [2900]	200 [2900]	200 [2900]	200 [2900]	200 [2900]	175 [2540]	175 [2540]
	Spitze ** Peak **	225 [3260]	225 [3260]	225 [3260]	225 [3260]	225 [3260]	225 [3260]	225 [3260]
Max. Anlaufdruck mit unbelasteter Welle Max. Starting pressure with unloaded shaft	bar [PSI]	8 [116]	7 [100]	6 [87]	5 [73]	5 [73]	5 [73]	5 [73]
Min. Anlaufmoment bei max. Druckgefälle Min. Starting torque at max. pressure drop daNm [lb-in]	Dauerbetrieb Continuous	28,2 [2500]	33,5 [2950]	33,6 [2970]	34,4 [3045]	34,5 [3050]	36,0 [3180]	41,5 [3670]
	Int. * Int. *	35,5 [3140]	42,6 [3770]	54,2 [4795]	61,9 [5480]	60,8 [5390]	54,0 [4780]	62,0 [5480]
Min. Drehzahl *** Min. Speed ***	U/min RPM	10	10	10	10	10	10	10
Gewicht Weight kg [lb]	EPM (F) (N)	6,4 [14.1]	6,6 [14.6]	6,8 [15.0]	7,1 [15.6]	7,6 [16.8]	8,9 [20.0]	9,5 [21.4]
	EPM-W (N)	6,1 [13.5]	6,3 [13.9]	6,5 [14.3]	6,8 [15.0]	7,2 [15.9]	8,6 [19.0]	9,2 [20.3]
Für Hintenanschluss For rear ports +0,450 [992]	EPM-Q (N)	5,8 [12.8]	6,0 [12.3]	6,2 [13.7]	6,5 [14.3]	6,8 [15.0]	8,3 [18.3]	9,0 [19.8]

- * Intermittierend: Betrieb max. 10% pro Minute
- ** Spitze: max. 1% pro Minute
- *** Für Drehzahlen kleiner der min. Drehzahl sprechen Sie uns bitte an.
- Intermittierende Druckgefälle und Ölströme dürfen nicht gleichzeitig erreicht werden.
- Minimale Viskosität 13 mm²/s [70 SUS] bei 50 °C [122 °F]
- Maximale Öltemperatur während des Betriebs 82 °C [180 °F]
- Die Lebensdauer der Motoren kann erhöht werden, wenn die Antriebswelle 10-15 Minuten vor voller Belastung frei läuft.

- * Intermittent: Working max. 10% per minute
- ** Peak: max. 1% per minute
- *** For speeds lower than given, please consult us.
- Int. speed and pressure should not occur simultaneously.
- Recommended min. oil viscosity 13 mm²/s [70 SUS] at 50 °C [122 °F]
- Recommended max. system operating temperature is 82 °C [180 °F]
- To assure optimum motor life fill with fluid prior to loading and run at moderate load and speed for 10-15 minutes.

TECHNISCHE DATEN

TECHNICAL DATA

Für EPM Motoren mit CB, KB, OB und HB Wellen (Dichtungsdurchmesser Ø35)
 For EPM motors with CB, KB, OB and HB shafts (sealing diameter Ø35)

Typ Type		EPM 80	EPM 100	EPM 125	EPM 160	EPM 200
Schluckvolumen Displacement	cm ³ /U ccm/rev [in ³ /rev]	79,2 [4.83]	99,0 [6.04]	123,8 [7.55]	158,4 [9.66]	198,0 [12.1]
Max. Drehzahl Max. Speed U/min RPM	Dauerbetrieb Continuous	755	605	486	378	303
	Int. * Int. *	945	755	605	472	378
Max. Drehmoment Max. Torque daNm [lb-in]	Dauerbetrieb Continuous	15,1 [1340]	19,3 [1710]	23,7 [2100]	31,3 [2770]	36,6 [3240]
	Int. * Int. *	19,5 [1725]	23,7 [2100]	29,8 [2640]	37,8 [3345]	45,6 [4005]
	Spitze ** Peak **	22,4 [1985]	27,5 [2435]	36,5 [3235]	43,8 [3880]	55,0 [4870]
Max. Leistungsabgabe Max. Output kW [HP]	Dauerbetrieb Continuous	10,2 [13.70]	10,5 [14.10]	10,2 [13.70]	10,1 [13.50]	10,0 [13.70]
	Int. * Int. *	12,5 [16.80]	12,8 [17.10]	12,0 [16.10]	12,1 [16.20]	12,0 [16.10]
Max. Druckgefälle Max. Pressure drop bar [PSI]	Dauerbetrieb Continuous	140 [2030]	140 [2030]	140 [2030]	140 [2030]	140 [2030]
	Int. * Int. *	175 [2540]	175 [2540]	175 [2540]	175 [2540]	175 [2540]
	Spitze ** Peak **	225 [3260]	225 [3260]	225 [3260]	225 [3260]	225 [3260]
Max. Ölstrom Max. Oil flow l/min lpm [GPM]	Dauerbetrieb Continuous	60 [15.9]	60 [15.9]	60 [15.9]	60 [15.9]	60 [15.9]
	Int. * Int. *	75 [19.8]	75 [19.8]	75 [19.8]	75 [19.8]	75 [19.8]
Max. Eingangsdruck Max. Inlet pressure bar [PSI]	Dauerbetrieb Continuous	175 [2540]	175 [2540]	175 [2540]	175 [2540]	175 [2540]
	Int. * Int. *	200 [2900]	200 [2900]	200 [2900]	200 [2900]	200 [2900]
	Spitze ** Peak **	225 [3260]	225 [3260]	225 [3260]	225 [3260]	225 [3260]
Max. Rücklaufdruck mit Leckölleitung Max. Return pressure with drain line bar [PSI]	Dauerbetrieb Continuous	175 [2540]	175 [2540]	175 [2540]	175 [2540]	175 [2540]
	Int. * Int. *	200 [2900]	200 [2900]	200 [2900]	200 [2900]	200 [2900]
	Spitze ** Peak **	225 [3260]	225 [3260]	225 [3260]	225 [3260]	225 [3260]
Max. Anlaufdruck mit unbelasteter Welle Max. Starting pressure with unloaded shaft	bar [PSI]	10 [145]	10 [145]	9 [131]	8 [116]	7 [100]
Min. Anlaufmoment bei max. Druckgefälle Min. Starting torque at max. pressure drop daNm [lb-in]	Dauerbetrieb Continuous	13,2 [1170]	16,6 [1470]	20,7 [1830]	28,2 [2500]	33,5 [2950]
	Int. * Int. *	16,8 [1490]	21,0 [1860]	26,6 [2360]	35,5 [3140]	42,6 [3770]
Min. Drehzahl *** Min. Speed ***	U/min RPM	10	10	10	10	10
Gewicht Weight kg [lb]		6,0 [13.2]	6,2 [13.7]	6,3 [13.9]	6,5 [14.3]	6,7 [14.8]
Für Hintenanschluss For rear ports +0,450 [.992]	EPM (F) ... B					

- * Intermittierend: Betrieb max. 10% pro Minute
- ** Spitze: max. 1% pro Minute
- *** Für Drehzahlen kleiner der min. Drehzahl sprechen Sie uns bitte an.
- Intermittierende Druckgefälle und Ölströme dürfen nicht gleichzeitig erreicht werden.
- Minimale Viskosität 13 mm²/s [70 SUS] bei 50 °C [122 °F]
- Maximale Öltemperatur während des Betriebs 82 °C [180 °F]
- Die Lebensdauer der Motoren kann erhöht werden, wenn die Antriebswelle 10-15 Minuten vor voller Belastung frei läuft.

- * Intermittent: Working max. 10% per minute
- ** Peak: max. 1% per minute
- *** For speeds lower than given, please consult us.
- Int. speed and pressure should not occur simultaneously.
- Recommended min. oil viscosity 13 mm²/s [70 SUS] at 50 °C [122 °F]
- Recommended max. system operating temperature is 82 °C [180 °F]
- To assure optimum motor life fill with fluid prior to loading and run at moderate load and speed for 10-15 minutes.

TECHNISCHE DATEN

TECHNICAL DATA

Für EPM Motoren mit CB, KB, OB und HB Wellen (Dichtungsdurchmesser Ø35)
For EPM motors with CB, KB, OB and HB shafts (sealing diameter Ø35)

Typ Type		EPM 250	EPM 315	EPM 400	EPM 500	EPM 630
Schluckvolumen Displacement	cm ³ /U ccm/rev [in ³ /rev]	247,5 [15.10]	316,8 [19.30]	396,0 [24.16]	495,0 [30.20]	623,6 [38.05]
Max. Drehzahl Max. Speed U/min RPM	Dauerbetrieb Continuous	242	190	150	120	95
	Int. * Int. *	303	236	189	150	120
Max. Drehmoment Max. Torque daNm [lb-in]	Dauerbetrieb Continuous	47,0 [4160]	48,0 [4360]	50,0 [4415]	39,0 [3452]	44,0 [3895]
	Int. * Int. *	58,3 [5160]	56,0 [4960]	59,0 [5240]	57,0 [5045]	64,0 [5665]
	Spitze ** Peak **	68,5 [6060]	85,0 [7505]	85,4 [7060]	78,0 [69,03]	82,0 [7257]
Max. Leistungsabgabe Max. Output kW [HP]	Dauerbetrieb Continuous	9,0 [12.10]	7,6 [10.20]	6,2 [8.30]	3,5 [4.70]	3,3 [4.40]
	Int. * Int. *	12,0 [16.10]	9,0 [12.10]	7,8 [10.50]	7,2 [9.70]	5,6 [7.50]
Max. Druckgefälle Max. Pressure drop bar [PSI]	Dauerbetrieb Continuous	140 [2030]	120 [1740]	95 [1400]	60 [870]	55 [800]
	Int. * Int. *	175 [2540]	140 [2030]	115 [1665]	90 [1305]	80 [10]
	Spitze ** Peak **	225 [3260]	225 [3260]	180 [2610]	130 [1885]	110 [1740]
Max. Ölstrom Max. Oil flow l/min lpm [GPM]	Dauerbetrieb Continuous	60 [15.9]	60 [15.9]	60 [15.9]	60 [15.9]	60 [15.9]
	Int. * Int. *	75 [19.8]	75 [19.8]	75 [19.8]	75 [19.8]	75 [19.8]
Max. Eingangsdruck Max. Inlet pressure bar [PSI]	Dauerbetrieb Continuous	175 [2540]	175 [2540]	175 [2540]	140 [2030]	140 [2030]
	Int. * Int. *	200 [2900]	200 [2900]	200 [2900]	175 [2540]	175 [2540]
	Spitze ** Peak **	225 [3260]	225 [3260]	225 [3260]	225 [3260]	225 [3260]
Max. Rücklaufdruck mit Leckölleitung Max. Return pressure with drain line bar [PSI]	Dauerbetrieb Continuous	175 [2540]	175 [2540]	175 [2540]	140 [2030]	140 [2030]
	Int. * Int. *	200 [2900]	200 [2900]	200 [2900]	175 [2540]	175 [2540]
	Spitze ** Peak **	225 [3260]	225 [3260]	225 [3260]	225 [3260]	225 [3260]
Max. Anlaufdruck mit unbelasteter Welle Max. Starting pressure with unloaded shaft	bar [PSI]	6 [87]	5 [73]	5 [73]	5 [73]	5 [73]
Min. Anlaufmoment bei max. Druckgefälle Min. Starting torque at max. pressure drop daNm [lb-in]	Dauerbetrieb Continuous	42,8 [3790]	45,8 [4050]	46,8 [4140]	36,0 [3180]	41,5 [3670]
	Int. * Int. *	54,2 [4795]	61,9 [5480]	60,8 [5390]	54,0 [4780]	62,0 [5480]
Min. Drehzahl *** Min. Speed ***	U/min RPM	10	10	10	10	10
Gewicht Weight kg [lb]		6,9 [15.2]	7,2 [15.9]	7,7 [17.0]	9,0 [19.9]	9,6 [21.2]
Für Hintenanschluss For rear ports +0,450 [.992]	EPM (F) ... B					

- * Intermittierend: Betrieb max. 10% pro Minute
- ** Spitze: max. 1% pro Minute
- *** Für Drehzahlen kleiner der min. Drehzahl sprechen Sie uns bitte an.
- Intermittierende Druckgefälle und Ölströme dürfen nicht gleichzeitig erreicht werden.
- Minimale Viskosität 13 mm²/s [70 SUS] bei 50 °C [122 °F]
- Maximale Öltemperatur während des Betriebs 82 °C [180 °F]
- Die Lebensdauer der Motoren kann erhöht werden, wenn die Antriebswelle 10-15 Minuten vor voller Belastung frei läuft.

- * Intermittent: Working max. 10% per minute
- ** Peak: max. 1% per minute
- *** For speeds lower than given, please consult us.
- Int. speed and pressure should not occur simultaneously.
- Recommended min. oil viscosity 13 mm²/s [70 SUS] at 50 °C [122 °F]
- Recommended max. system operating temperature is 82 °C [180 °F]
- To assure optimum motor life fill with fluid prior to loading and run at moderate load and speed for 10-15 minutes.

BESTELLCODE ORDER CODE

EPM	1	2	3	4	5	6	7	8	9	10	11
-----	---	---	---	---	---	---	---	---	---	----	----

1.	Montageflansch Mounting flange
frei omit	Ovalflansch, zwei Befestigungslöcher Oval mount two holes
F	Ovalflansch, vier Befestigungslöcher Oval mount four holes
Q	Quadratflansch, vier Gewindebohrungen Square mount four bolts
W	Radflansch Wheel mount

2.	Nadellager Needle bearings
frei omit	Ohne Nadellager Without needle bearing
N	Mit Nadellager With needle bearing

3.	Anschlussstyp Port type
frei omit	Seitenanschluss Side ports
E	Hintenanschluss Rear ports

4.	Schluckvolumen Displacement
25 *	25,0 cm ³ /U ccm/rev. [1.52 in ³ /rev]
32 *	32,0 cm ³ /U ccm/rev. [1.95 in ³ /rev]
40 *	40,0 cm ³ /U ccm/rev. [2.44 in ³ /rev]
50	49,5 cm ³ /U ccm/rev. [3.02 in ³ /rev]
80	79,2 cm ³ /U ccm/rev. [4.83 in ³ /rev]
100	99,0 cm ³ /U ccm/rev. [6.04 in ³ /rev]
125	123,8 cm ³ /U ccm/rev. [7.55 in ³ /rev]
160	158,4 cm ³ /U ccm/rev. [9.66 in ³ /rev]
200	198,0 cm ³ /U ccm/rev. [12.10 in ³ /rev]
250	247,5 cm ³ /U ccm/rev. [15,1 in ³ /rev]
315	316,8 cm ³ /U ccm/rev. [19.30 in ³ /rev]
400	396,0 cm ³ /U ccm/rev. [24.16 in ³ /rev]
500	495,0 cm ³ /U ccm/rev. [30.20 in ³ /rev]
630	623,6 cm ³ /U ccm/rev. [38.05 in ³ /rev]

5.	Korrosionsbeständige Buchse ** Corrosion resistant bushing **
frei omit	Ohne Korrosionsbeständige Buchse With corrosion resistant bushing
V	Mit korrosionsbeständiger Buchse With corrosion resistant bushing

6.	Abtriebswelle (Zul. Momentabgabe darf nicht überschritten werden) Shaft (Permissible output torque should not be exceeded)
C	Zylindrisch Ø25, Passfeder 8x7x32 DIN6885 Straight Ø25, parallel key 8x7x32 DIN6885
CO	Zylindrisch Ø1", Passfeder 1/4"x1/4"x1 1/4" BS246 Straight Ø1", parallel key 1/4"x1/4"x1 1/4" BS246
CB	Zylindrisch Ø32, Passfeder 10x8x45 DIN6885 Straight Ø32, parallel key 10x8x45 DIN6885
SH	Verzahnt Ø25,32 BS2059 (SAE 6 B) Splined Ø25,32, BS2059 (SAE 6 B)
SA	Verzahnt Ø24,5 B25x22 DIN5482 Splined Ø24,5 B25x22 DIN5482
HB	Verzahnt Ø1 1/4", 14 Zähne, ANSI B92.1-1976 Norm Splined Ø1 1/4", 14T, ANSI B92.1-1976 norm
SB	Innenverzahnt A25x22 DIN5482 Internal splined A25x22 DIN5482
K	Konisch 1:10, Ø28,56, Passfeder B5x5x14 DIN6885 Tapered 1:10, Ø28,56, parallel key B5x5x14 DIN6885
KB	Konisch 1:10, Ø35, Passfeder B6x6x20 DIN6885 Tapered 1:10, Ø35, parallel key B6x6x20 DIN6885
OB	Konisch 1:8, Ø35, Passfeder B5/16"x5/16"x1 1/4" BS246 Tapered 1:8, Ø35, parallel key B5/16"x5/16"x1 1/4" BS246

7.	Version Wellendichtung Shaft seal version
frei omit	Niederdruck Wellendichtung oder Standard bei ... B Wellen Low pressure shaft seal or standard for ... - B-shafts
D	Standard Wellendichtung Standard shaft seal
U	Hochdruck Wellendichtung (ohne Rückschlagventile) High pressure shaft (without check valves)

8.	Leckölanschluss Drain Port
frei omit	Mit Leckölanschluss With drain port
1	Ohne Leckölanschluss Without drain port

9.	Anschlüsse Drain ports
frei omit	BSPP (ISO295)
M	Metrisch (ISO262) Metric (ISO 262)

* Nur mit Hochdruckdichtung erhältlich (Pos. 7 Option D oder U)
Only available with high pressure seal (Pos.7 option D or U)

** Nur erhältlich mit Wellenoption C, CO, SH oder SA
Only available with shaft option C, CO, SH or SA

Die folgenden Kombinationen sind nicht erhältlich:
 Q-Flansch und korrosionsbeständige Buchse mit ... B-Wellen
 W-Flansch mit ... B-Wellen und Hintenanschluss
 Nadellager mit ... B-Wellen und Niederdruck oder Hochdruckdichtung
 ... B-Wellen mit Dichtungsversion D und U

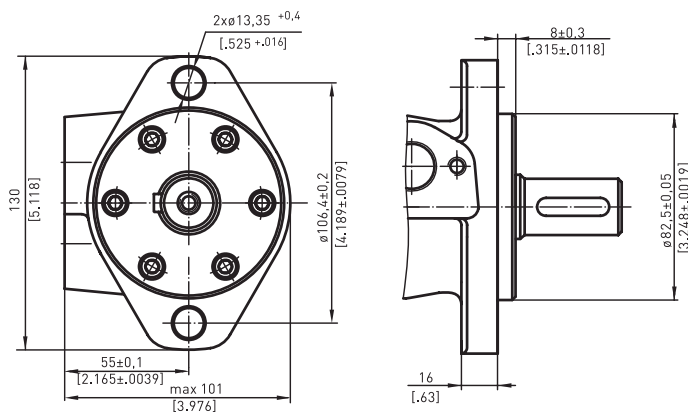
The following combinations are not available:
 Q-flange and corrosion resistant bushing with ... B-shafts
 W-flange with ... B-shafts and rear ports
 Needlebearing with ... B-shafts and low pressure or high pressure shaft seal
 ... B-shafts with shaftseal version D and U

10.	Sonderausführungen Special features
RS	Drehzahlsensor (nicht erhältlich für EPM-N und EPM-W) Speed sensor (not available for EPM-N and EPM-W)
FR	Leichtlaufausführung Free running
R	Drehrichtung umgedreht Reverse rotation
P	Lackiert (Farbe auf Anfrage) Paint (colour on request)
PC	Korrosionsschutzfarbe (Farbe auf Anfrage) Corrosion protected paint (colour on request)

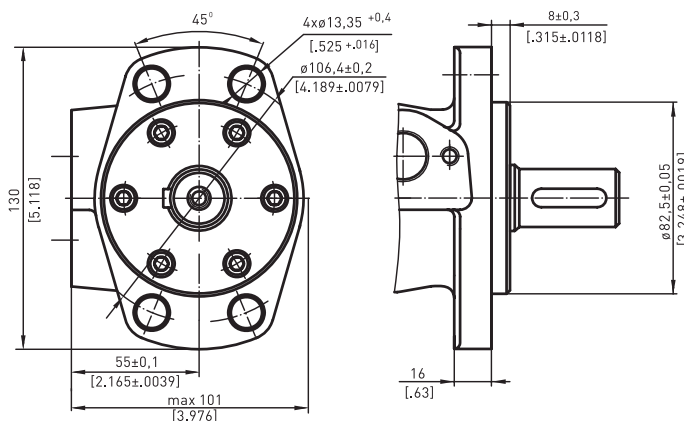
PS	Spezielllackierung (Anschlussflächen blank / Farbe auf Anfrage) Paint (non painted feeding surfaces / colour on request)
PCS	Korrosionsschutzfarbe Spezial (Anschlussflächen blank / Farbe auf Anfrage) Corrosion prot. paint special (non painted feeding surfaces / on request)
11.	Design Serie Design series
frei omit	Betriebsspezifisch Factory specified

1. MONTAGEFLANSCH 1. MOUNTING FLANGE

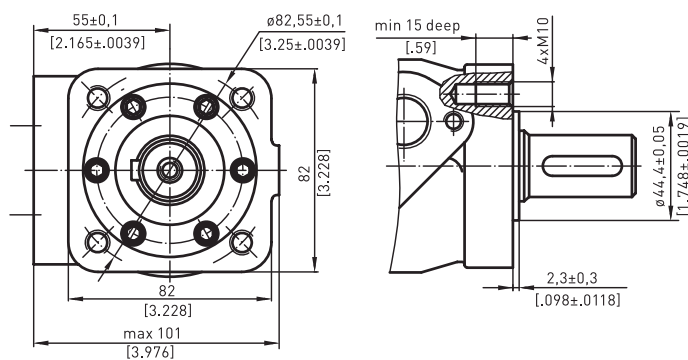
Standard: Ovalflansch, 2 Befestigungslöcher
Standard: Oval mount, 2 holes



Option F: Ovalflansch, 4 Befestigungslöcher
Option F: Oval mount, 4 holes



Option Q: Quadratflansch, 4 Gewindebohrungen
Option Q: Square mount, 4 bolts

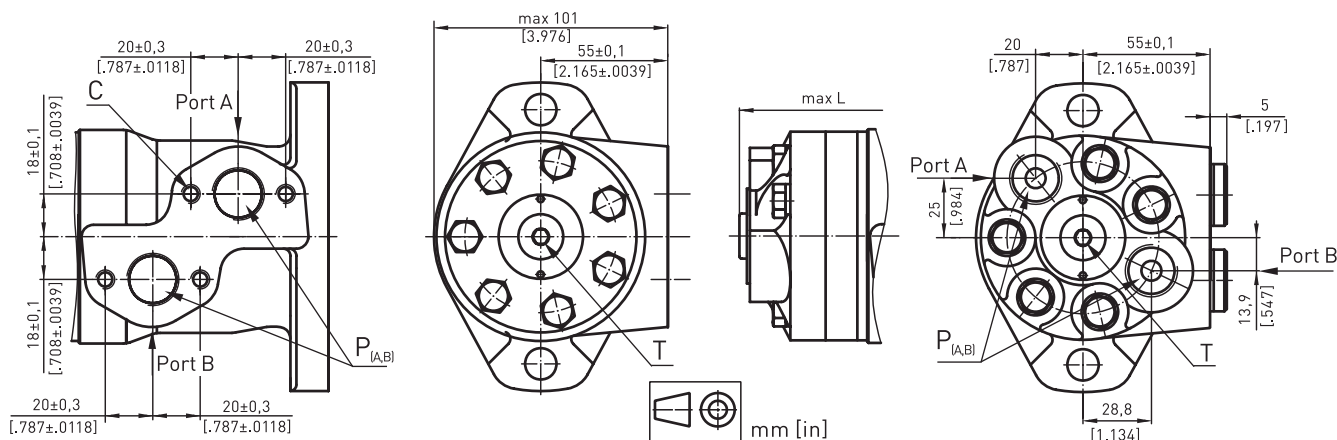


3. ANSCHLUSSTYP

3. PORT TYPE

Standard: Seitenanschluss
Standard: Side ports

Option E: Hintenanschluss
Option E: Rear ports

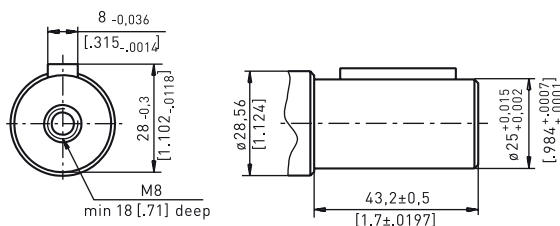


C: 4xM8 - 13mm [.51 in] tief deep
P (A,B): 2xG1/2 oder 2xM22x1,5 - 15mm [.59 in] tief deep
T: G1/4 oder M14x1,5 - 12 mm [.47 in] tief deep

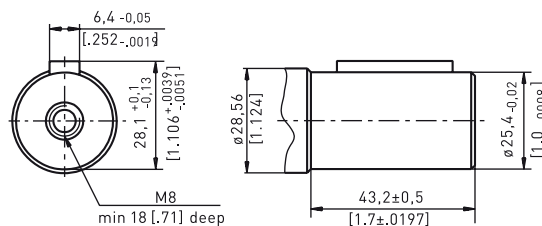
6. ABTRIEBSWELLE

6. SHAFT

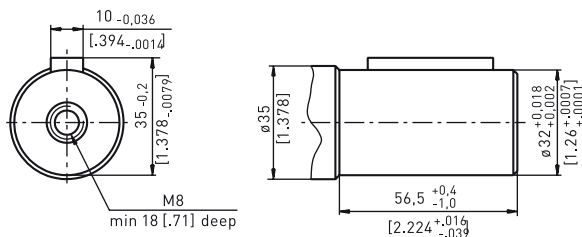
Option C: Zylindrisch Ø25 mm
Option C: Straight Ø 25 mm



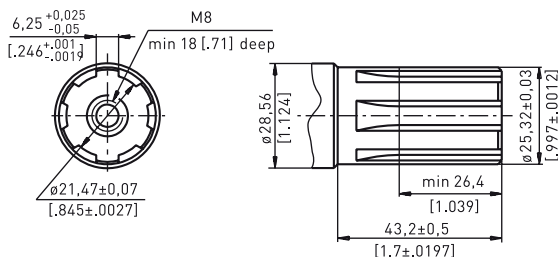
Option C0: Zylindrisch Ø1"
Option C0: Straight Ø1"



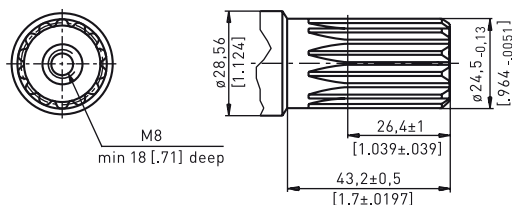
Option CB: Zylindrisch Ø32 mm
Option CB: Straight Ø 32 mm



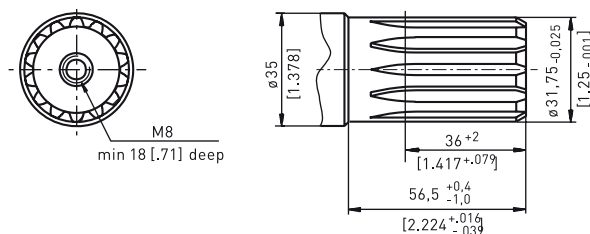
Option SH: Verzahnt SAE 6 B
Option SH: Splined SAE 6 B



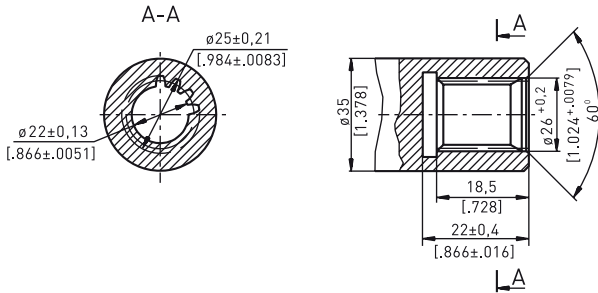
Option SA: Verzahnt B25x22h9
Option SA: Splined B25x22h9



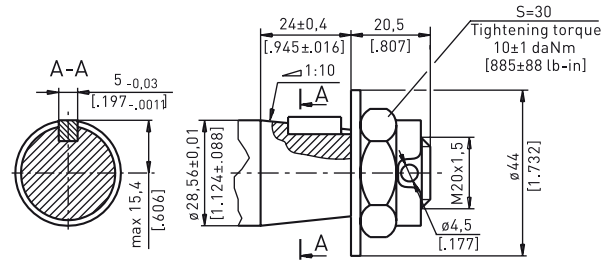
Option HB: Verzahnt Ø1¼", 14 Zähne
Option HB: Splined Ø1¼", 14T



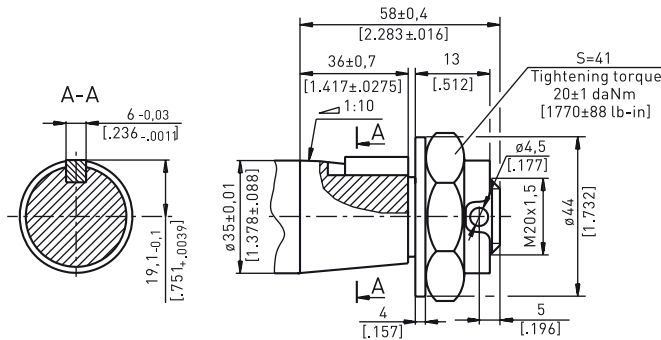
Option SB: Verzahnt A25x22H10
 Option SB: Splined A25x22H10



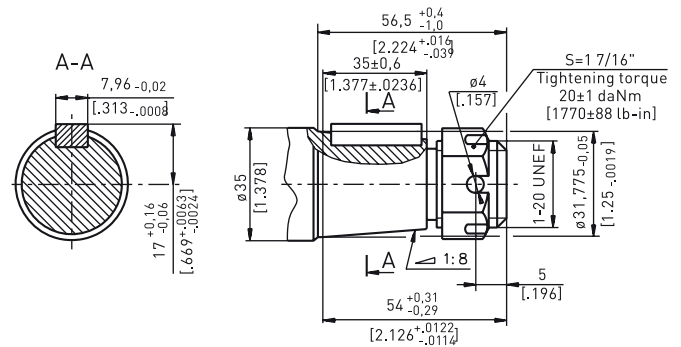
Option K: Konisch 1:10, Ø28,56 mm
 Option K: Tapered 1:10, Ø28,56 mm



Option KB: Konisch 1:10, Ø35 mm
 Option KB: Tapered 1:10, Ø35 mm



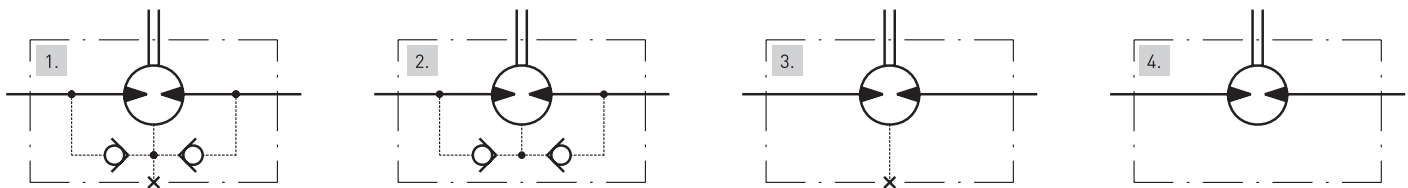
Option OB: Konisch 1:8, Ø35 mm
 Option OB: Tapered 1:8, Ø35 mm



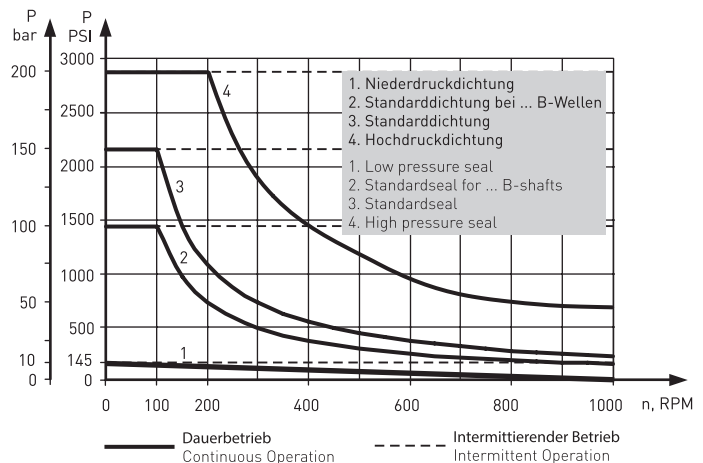
Zulässige Drehmomentabgabe
 Permissible output torque

Zulässige Drehmomentabgabe je nach Wellentyp Permissible output torque based on shaft type daNm [lb-in]									
C	CO	CB	SH	SA	HB	SB	K	KB	OB
34 [3010]	34 [3010]	77 [6815]	40 [3540]	40 [3540]	77 [6815]	34 [3010]	40 [3540]	77 [6815]	77 [6815]

7. + 8. WELLENDICHTUNG UND LECKÖLANSCHLUSS 7. + 8. SHAFT SEAL AND DRAIN PORT

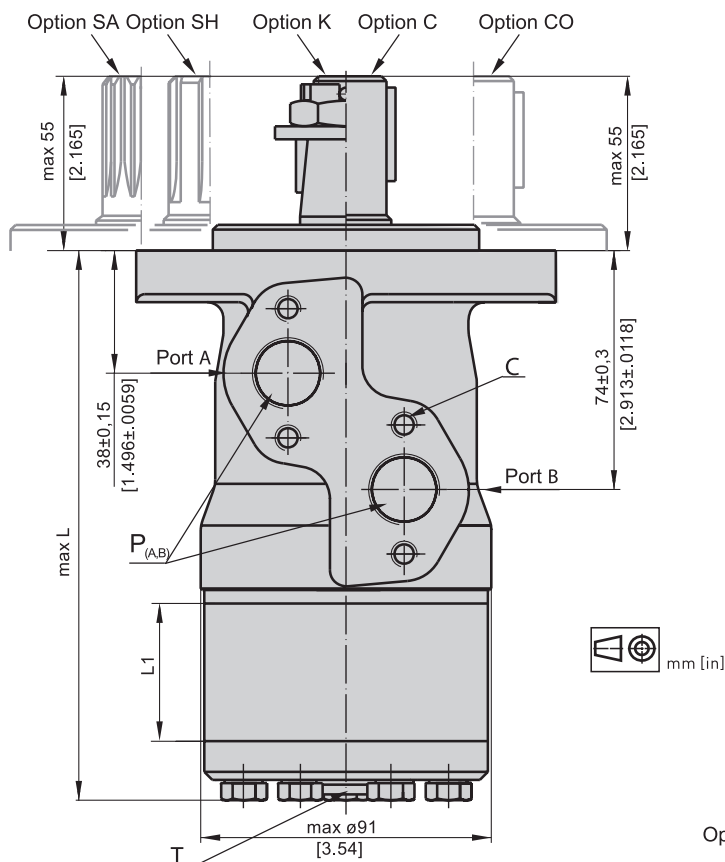


1. EPM mit Leckölanschluss und Niederdruckdichtung oder Standarddichtung.
Der Druck auf die Wellendichtung entspricht hier dem Druck in der Leckölleitung.
 2. EPM ohne Leckölanschluss und Niederdruckdichtung oder Standarddichtung.
Der Druck auf die Wellendichtung übersteigt nie den Druck in der Rücklaufleitung.
 3. EPM mit Leckölanschluss und Hochdruckdichtung.
Der Druck auf die Wellendichtung entspricht hier dem Druck in der Leckölleitung.
 4. EPM ohne Leckölanschluss und Hochdruckdichtung.
Der Druck auf die Wellendichtung entspricht dem Durchschnitt zwischen Eingang- und Rücklaufdruck.
1. EPM with drain connection and low pressure seal or standard seal.
The shaft seal pressure equals the pressure in the drain line.
 2. EPM without drain connection and low pressure seal or standard seal.
The shaft seal pressure never exceeds the pressure in the return line.
 3. EPM with drain connection and high pressure seal.
The shaft seal pressure equals the pressure in the drain line.
 4. EPM without drain connection and high pressure seal.
The shaft seal pressure equals the average of input and return pressure.



EINBAUMAß DIMENSIONS

Ovalflansch Oval mount

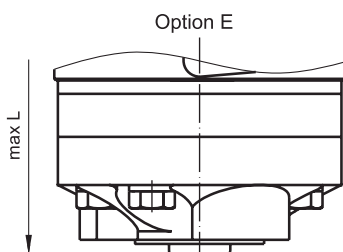


Standarddrehung
mit Blick auf Abtriebswelle
Druck auf Anschluss A - rechtsdrehend
Druck auf Anschluss B - linksdrehend

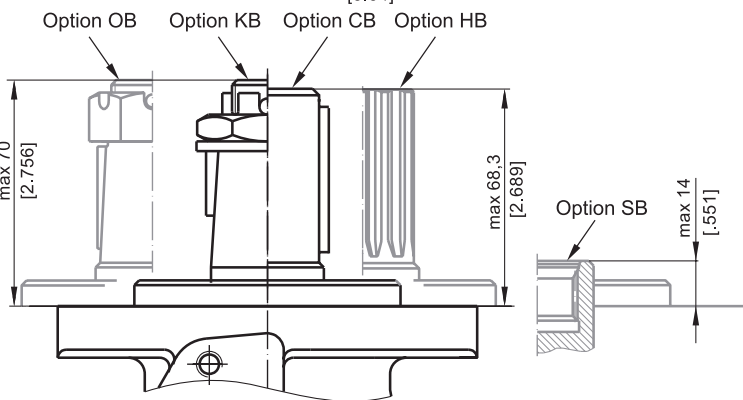
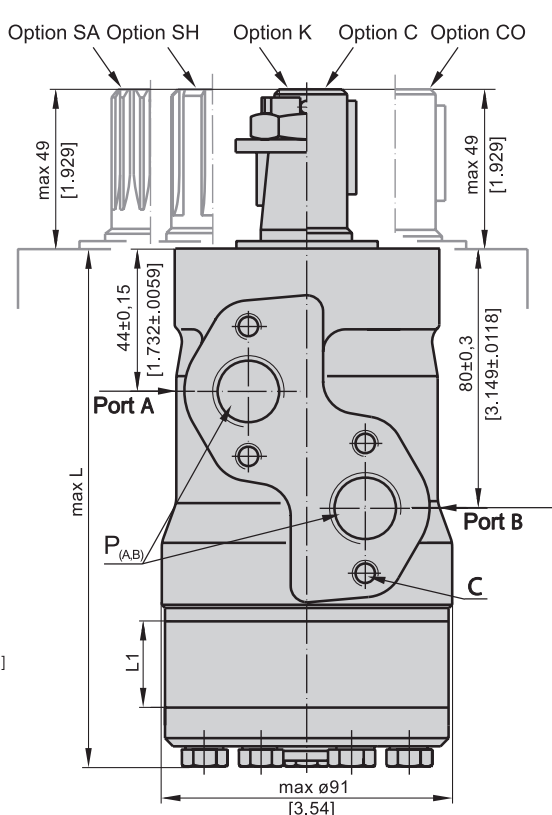
Reversierdrehung (10. - Option R)
mit Blick auf Abtriebswelle
Druck auf Anschluss A - linksdrehend
Druck auf Anschluss B - rechtsdrehend

Standard rotation
Viewed from shaft end
Port A pressurised- right running
Port B pressurised- left running

Reverse rotation (10. - Option R)
Viewed from shaft end
Port A pressurised- left running
Port B pressurised- right running



Quadratflansch Square mount

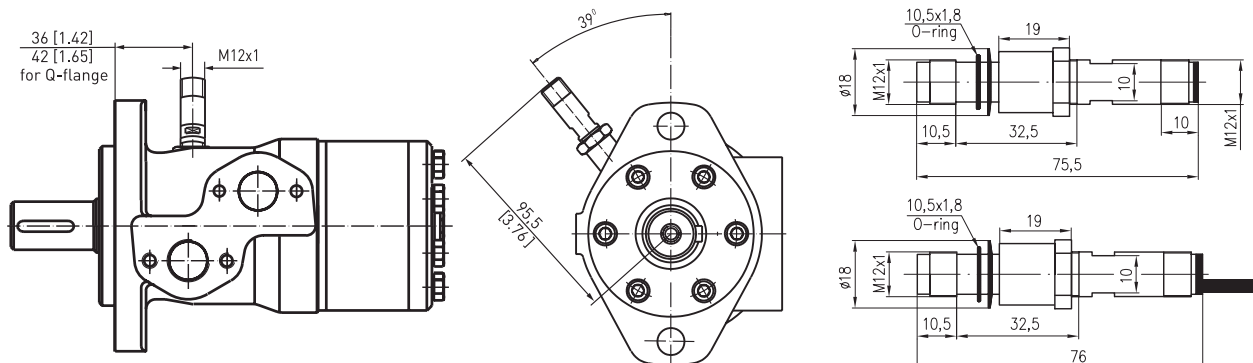


Typ Type	L, mm [in]	Typ Type	L, mm [in]	Typ Type	L, mm [in]	Typ Type	L, mm [in]	L ₁ , mm [in]
EPM(F) 25	134,0 [5.28]	EPM-Q 25	140,5 [5.53]	EPM(F)-E 25	150,5 [5.91]	EPM-Q-E 25	156,5 [6.16]	5,20 [2.21]
EPM(F) 32	135,0 [5.31]	EPM-Q 32	141,5 [5.57]	EPM(F)-E 32	151,5 [5.96]	EPM-Q-E 32	157,5 [6.20]	6,30 [2.25]
EPM(F) 40	136,5 [5.37]	EPM-Q 40	142,5 [5.61]	EPM(F)-E 40	152,5 [6.00]	EPM-Q-E 40	158,5 [6.24]	7,40 [2.29]
EPM(F) 50	135,5 [5.33]	EPM-Q 50	142,0 [5.59]	EPM(F)-E 50	151,5 [5.96]	EPM-Q-E 50	158,0 [6.22]	6,67 [2.26]
EPM(F) 80	139,5 [5.49]	EPM-Q 80	146,0 [5.75]	EPM(F)-E 80	155,5 [6.12]	EPM-Q-E 80	162,0 [6.38]	10,67 [4.2]
EPM(F) 100	142,0 [5.59]	EPM-Q 100	148,5 [5.85]	EPM(F)-E 100	158,5 [6.24]	EPM-Q-E 100	164,5 [6.48]	13,33 [5.2]
EPM(F) 125	145,5 [5.73]	EPM-Q 125	152,0 [5.98]	EPM(F)-E 125	161,5 [6.36]	EPM-Q-E 125	168,0 [6.61]	16,67 [6.66]
EPM(F) 160	150,0 [5.91]	EPM-Q 160	156,5 [6.16]	EPM(F)-E 160	166,5 [6.56]	EPM-Q-E 160	172,5 [6.79]	21,33 [8.4]
EPM(F) 200	155,5 [6.12]	EPM-Q 200	162,0 [6.38]	EPM(F)-E 200	171,5 [6.75]	EPM-Q-E 200	178,0 [7.01]	26,67 [1.05]
EPM(F) 250	162,0 [6.38]	EPM-Q 250	168,5 [6.63]	EPM(F)-E 250	178,5 [7.03]	EPM-Q-E 250	184,5 [7.26]	33,33 [1.31]
EPM(F) 315	171,5 [6.75]	EPM-Q 315	178,0 [7.01]	EPM(F)-E 315	187,5 [7.38]	EPM-Q-E 315	194,0 [7.64]	42,67 [1.68]
EPM(F) 400	182,0 [7.17]	EPM-Q 400	188,5 [7.42]	EPM(F)-E 400	198,5 [7.81]	EPM-Q-E 400	204,5 [8.05]	53,33 [2.10]
EPM(F) 500	195,5 [7.70]	EPM-Q 500	202,0 [7.95]	EPM(F)-E 500	211,5 [8.33]	EPM-Q-E 500	218,0 [8.58]	66,63 [2.62]
EPM(F) 630	213,0 [8.39]	EPM-Q 630	219,0 [8.62]	EPM(F)-E 630	229,0 [9.02]	EPM-Q-E 630	235,0 [9.25]	84,00 [3.31]

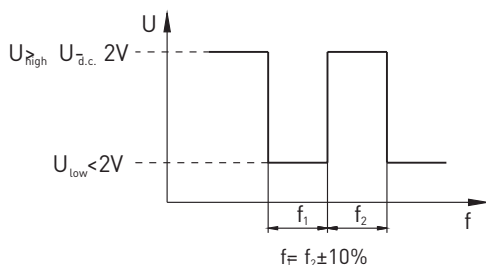
10. SONDERAUSFÜHRUNGEN

10. SPECIAL FEATURES

Option RS: Drehzahlsensor
Option RS: Speed sensor

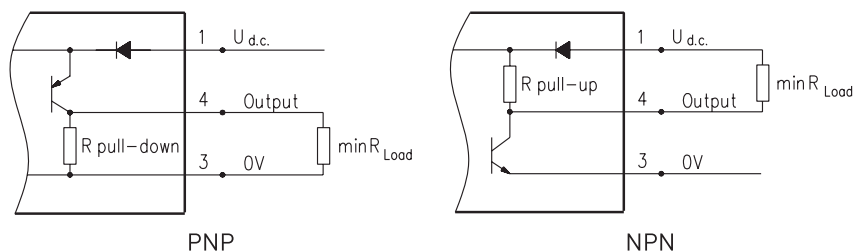


Ausgangssignal
Output signal



Load max.: $I_{high} = I_{low} < 50\text{mA}$

Schaltplan
Wiring diagram



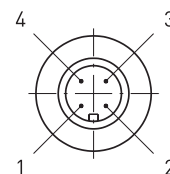
$$R_{\text{Load}}[\text{k}\Omega] = U_{\text{d.c.}}[\text{V}] / I_{\text{max}}[\text{mA}]$$

Technische Daten
Technical data

Frequenzbereich	Frequency	0 ... 15000 Hz
Ausgang	Output	Universal PUSH PULL
Spannungsversorgung	Output	10 - 30 VDC
Stromaufnahme	Power supply	<20 mA (@24 VDC)
Umgebungstemp.	Ambient temperature	-40 ... +125° C [-40 ... +257° F]
Schutzklasse	Protection	IP 67
Steckverbindung	Plug connector	M12 - Serie
Montageverfahren	Mounting principle	ISO 6149
Impulse / U	Pulses / rev	36

Anschluss Belegung
Stick type

Anschluss Nr. Terminal no.	Belegung Connection	Ausgangslei- tung Cable output
1	$U_{\text{d.c.}}$	Braun Brown
2	Keine Belegung No connection	Weiß White
3	0V	Blau Blue
4.	Ausgangssignal Output signal	Schwarz Black



Bestellcode
Order Code

Sensor Code Sensor code	Anschluss Connection
RS	Kabelstecker M12 Connector M12
RSL2,5	Anschlusskabel 3x0,25; 2,5 m [98 in] lang Cable output 3x0,25; 2,5 m [98 in] long
RSL3,5	Anschlusskabel 3x0,25; 3,5 m [138 in] lang Cable output 3x0,25; 3,5 m [138 in] long
RSL5	Anschlusskabel 3x0,25; 5 m [196 in] lang Cable output 3x0,25; 5 m [196 in] long
RSL10	Anschlusskabel 3x0,25; 10 m [394 in] lang Cable output 3x0,25; 10 m [394 in] long

Der Drehzahlsensor wird nicht montiert geliefert. Der Sensor befindet sich in einer Plastiktüte in der Umverpackung des Motors. Für eine Installation beachten Sie bitte die beiliegende Montageanleitung.

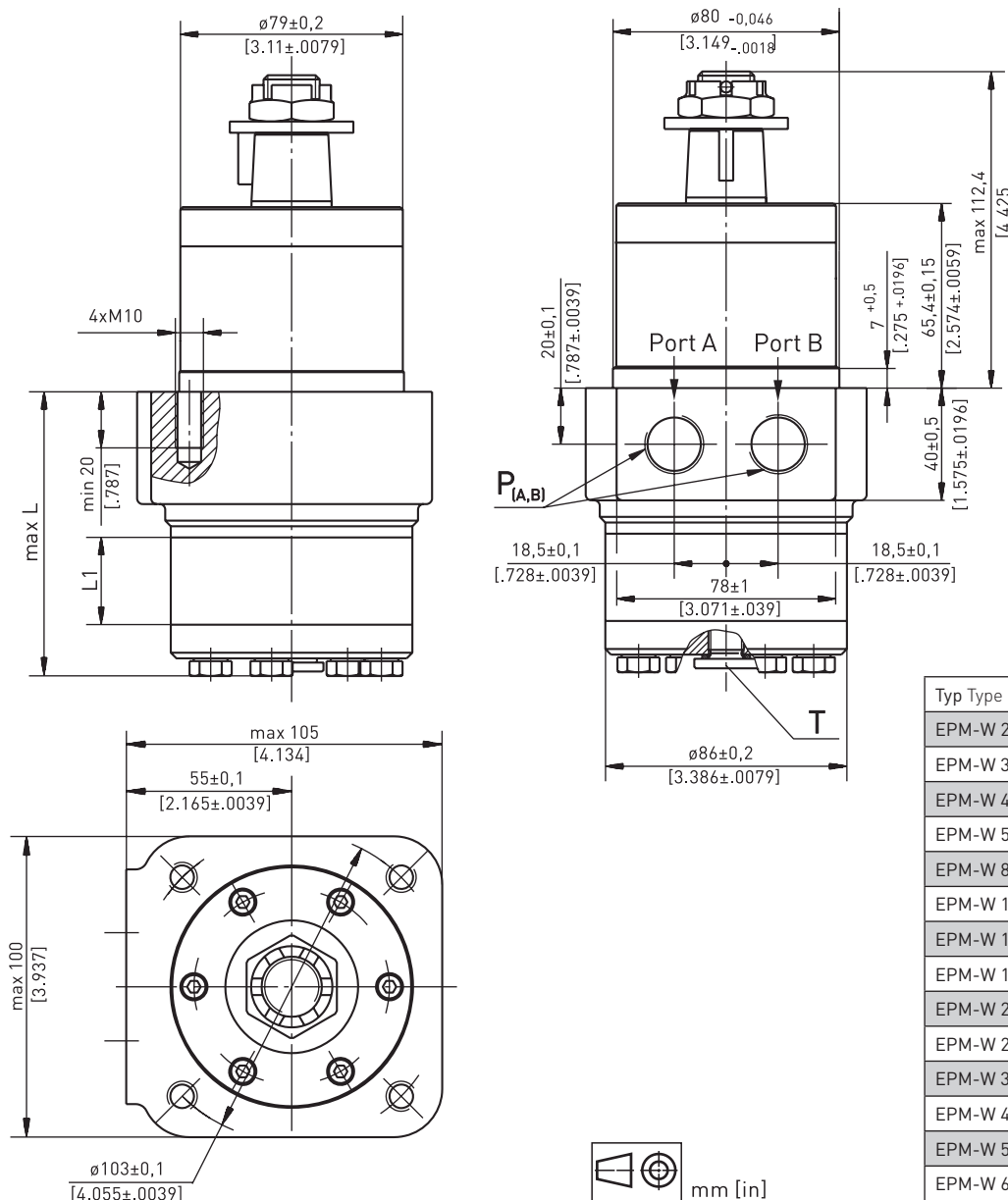
The speed sensor will be delivered not fitted, but is supplied in a plastic bag with the motor. For installation see the enclosed mounting instructions.

Option FR: Leichtlaufausführung
Option FR: Free running

FR Motoren haben größere Abstände zwischen den rotierenden Teilen im Planetensatz. Dadurch lässt sich die Abtriebswelle mit weniger mechanischem Widerstand drehen. Der größere Abstand verbessert auch die Schmierung der Abnutzungsflächen im Planetensatz. Weitere Vorteile ist eine längere Lebensdauer bei hohen Drehzahlen (größer 300 U/min) und geringem Druckabfall. Der volumetrische Wirkungsgrad kann bei diesen Motoren etwas geringer ausfallen.

FR motors are with increased clearance at all friction parts, allowing the shaft to rotate more freely with less mechanical drag. The increased clearance also improves lubrication of the wear surfaces of gear set and friction parts. Additional advantages of FR versions are prolonging of the life of the hydraulic motors at high speeds, as well as the possibility to use them in systems with wide variation of loading. FR series motors are designed to operate with high speed (over than 300 RPM) and low pressure drop. Volumetric efficiency may be reduced slightly.

EINBAUMASS EPM-W DIMENSION EPM-W



Standarddrehung
mit Blick auf Abtriebswelle
Druck auf Anschluss A - rechtsdrehend
Druck auf Anschluss B - linksdrehend

Reversierdrehung (10. - Option R)
mit Blick auf Abtriebswelle
Druck auf Anschluss A - linksdrehend
Druck auf Anschluss B - rechtsdrehend

Standard rotation
Viewed from shaft end
Port A pressurised- right running
Port B pressurised- left running

Reverse rotation (10. - Option R)
Viewed from shaft end
Port A pressurised- left running
Port B pressurised- right running

Typ	Type	L, mm [in]	L ₁ , mm [in]
EPM-W 25		77,0 [3.03]	5,20 [2.11]
EPM-W 32		78,0 [3.07]	6,30 [2.5]
EPM-W 40		79,5 [3.13]	7,40 [2.9]
EPM-W 50		78,5 [3.09]	6,67 [2.6]
EPM-W 80		82,5 [3.25]	10,67 [4.2]
EPM-W 100		85,0 [3.35]	13,33 [5.2]
EPM-W 125		88,5 [3.48]	16,67 [6.6]
EPM-W 160		93,0 [3.66]	21,33 [8.4]
EPM-W 200		98,5 [3.88]	26,67 [1.05]
EPM-W 250		105,0 [4.13]	33,33 [1.31]
EPM-W 315		114,5 [4.51]	42,67 [1.68]
EPM-W 400		125,0 [4.92]	53,33 [2.10]
EPM-W 500		138,5 [5.45]	66,63 [2.62]
EPM-W 630		156,0 [6.14]	84,00 [3.31]

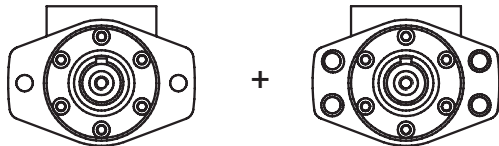
WEITERE TECHNISCHE INFORMATIONEN FURTHER TECHNICAL INFORMATION

Zulässige Wellenbelastung EPM Permissible shaft load EPM

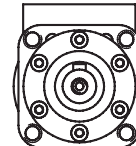
Die zulässige radiale Wellenbelastung P_{rad} hängt ab von den Drehzahlen (n) und Abstand (L) zwischen dem Angriffspunkt der Last und dem Befestigungsflansch.

The permissible radial shaft load P_{rad} depends on the speed (n) and the distance (L) from the point of load to the mounting flange and shaft version.

Montageflansch
Mounting flange



+



Für Wellenoptionen C, CO, K und SH:
For shaft options C, CO, K and SH:

$$P_{rad} = \frac{800}{n} \times \frac{25000}{95+L} \text{ ,[daN*]}$$

$$P_{rad} = \frac{800}{n} \times \frac{2215}{3.74+L} \text{ ,[lbs*]}$$

Für Wellenoptionen CB und HB:
For shaft options CB and HB:

$$P_{rad} = \frac{800}{n} \times \frac{18750}{95+L} \text{ ,[daN*]}$$

$$P_{rad} = \frac{800}{n} \times \frac{1660}{3.74+L} \text{ ,[lbs*]}$$

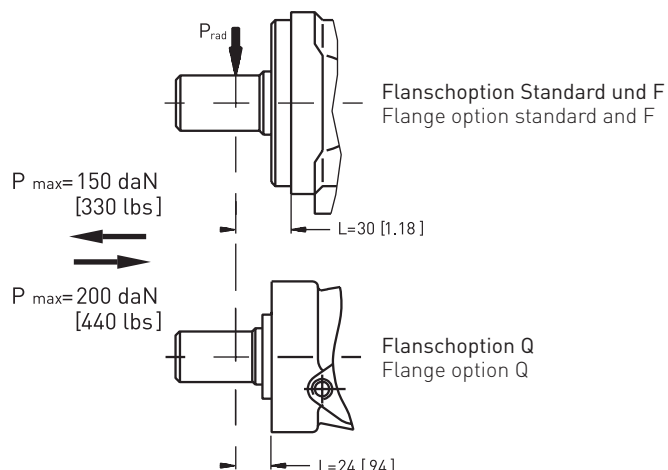
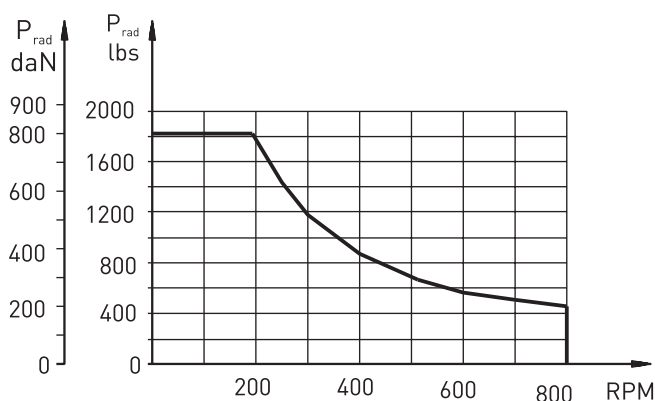
Für Wellenoptionen C und CO:
For shaft options C and CO:

$$P_{rad} = \frac{800}{n} \times \frac{25000}{101+L} \text{ ,[daN*]}$$

$$P_{rad} = \frac{800}{n} \times \frac{2215}{3.98+L} \text{ ,[lbs*]}$$

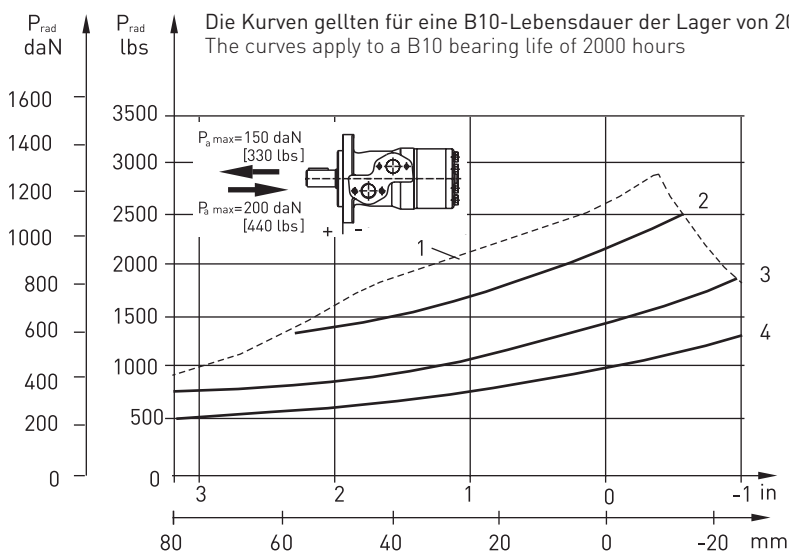
* $n < 200$ U/min RPM: Max $P_{rad} = 800$ daN [1800 lbs]
 $n \geq 200$ U/min RPM: $L < 55$ mm [2.2 in]

Radiale Wellenbelastung P_{rad} für Wellenoptionen C und CO bei $L=30$ mm [1.18 in] [24 mm [.94 in]]
Radial shaft load P_{rad} for shaft options C and CO at $L=30$ mm [1.18 in] [24 mm [.94 in]]



Zulässige Wellenbelastung EPM-N Permissible shaft load EPM-N

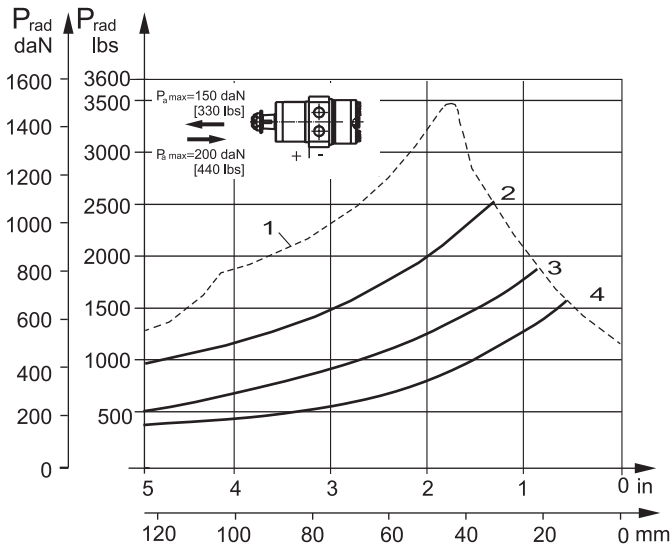
Die Kurven gelten für eine B10-Lebensdauer der Lager von 2000 Stunden
The curves apply to a B10 bearing life of 2000 hours



1. Max. radiale Wellenbelastung
Max. radial shaft load
2. $n = 50$ U/min
 $n = 50$ RPM
3. $n = 200$ U/min
 $n = 200$ RPM
4. $n = 800$ U/min
 $n = 800$ RPM

Zulässige Wellenbelastung EPM-W Permissible shaft load EPM-W

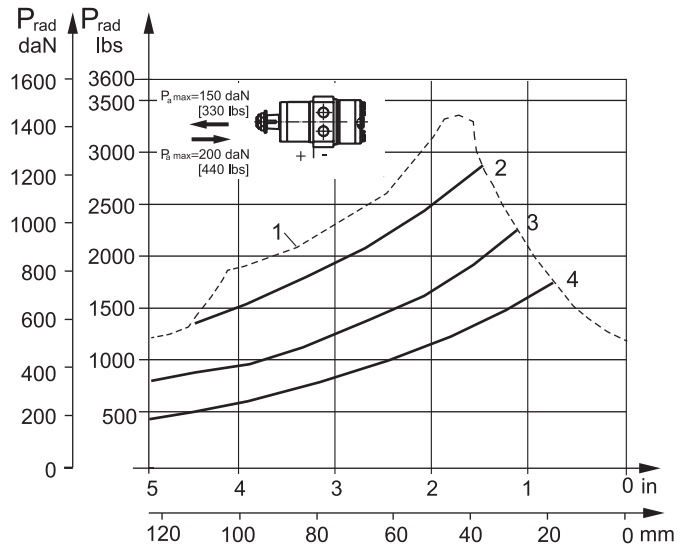
Die Kurven gelten für eine B10-Lebensdauer der Lager von 2000 Std.
The curves apply to a B10 bearing life of 2000 hours



1. Max. radiale Wellenbelastung
Max. radial shaft load
2. $n = 300 \text{ U/min}$
 $n = 300 \text{ RPM}$
3. $n = 500 \text{ U/min}$
 $n = 500 \text{ RPM}$
4. $n = 800 \text{ U/min}$
 $n = 800 \text{ RPM}$

Zulässige Wellenbelastung EPM-W-N Permissible shaft load EPM-W-N

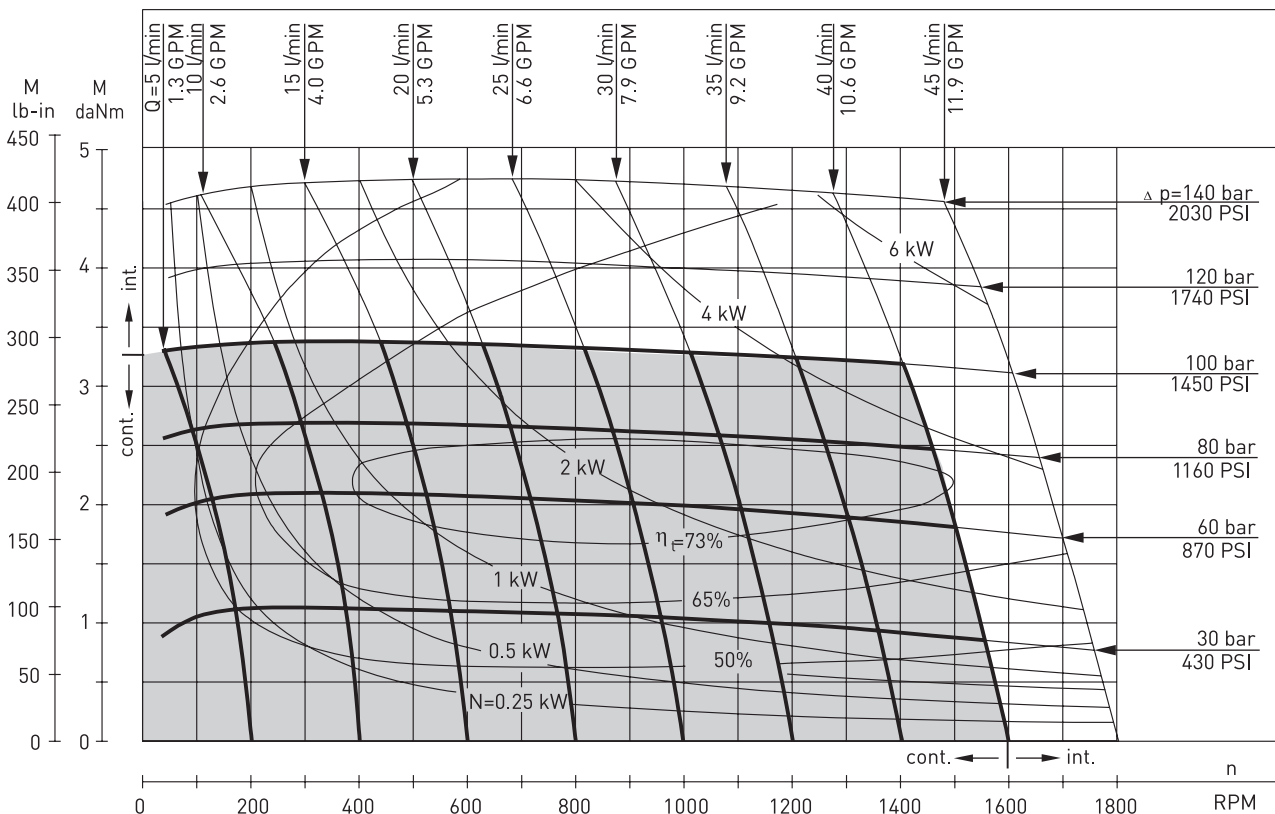
Die Kurven gelten für eine B10-Lebensdauer der Lager von 2000 Std.
The curves apply to a B10 bearing life of 2000 hours



1. Max. radiale Wellenbelastung
Max. radial shaft load
2. $n = 50 \text{ U/min}$
 $n = 50 \text{ RPM}$
3. $n = 200 \text{ U/min}$
 $n = 200 \text{ RPM}$
4. $n = 800 \text{ U/min}$
 $n = 800 \text{ RPM}$

LEISTUNGSDIAGRAMME FUNCTION DIAGRAMS

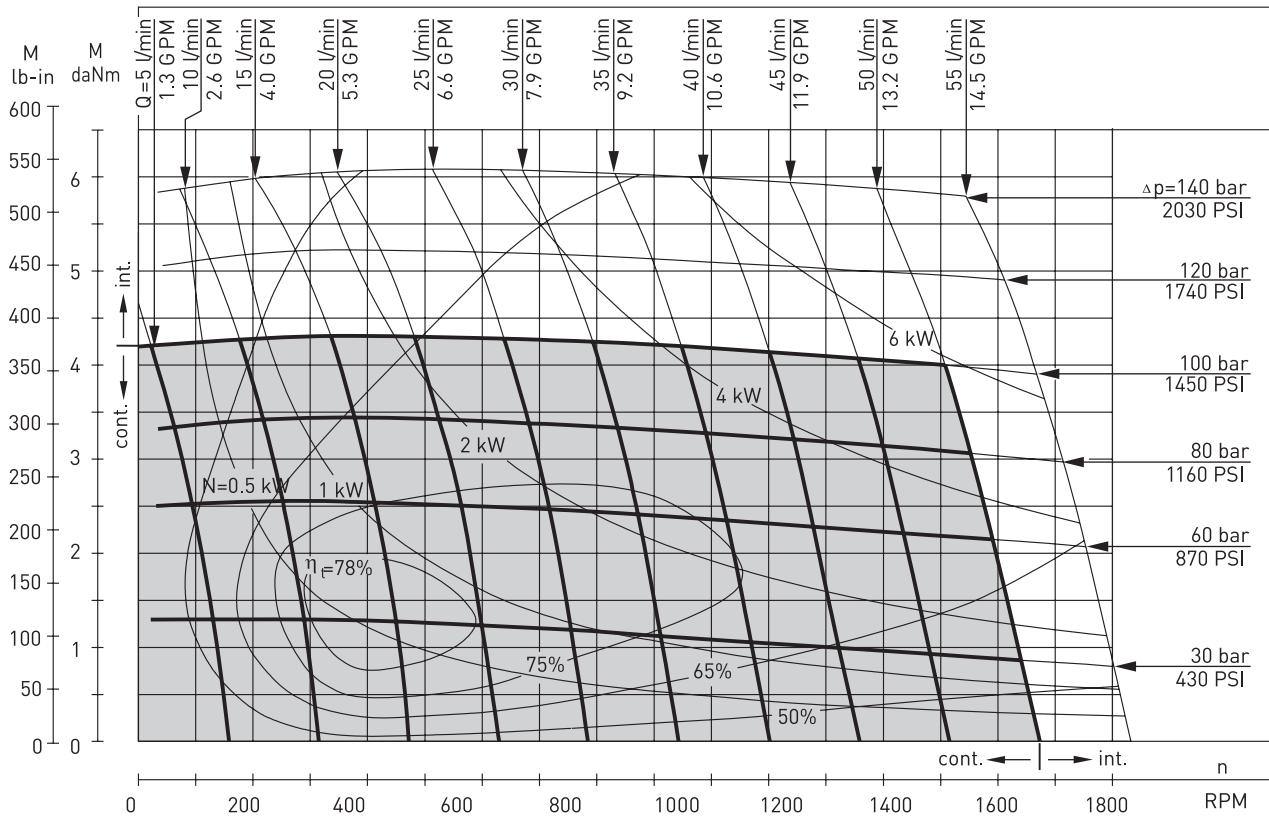
EPM 25



Die Leistungsdiagramme werden bei einem Rücklaufdruck von 5-10 bar [72.5-145 PSI] erreicht. Kinematische Viskosität des Hydrauliköls 32 mm²/s [150 SUS] bei 50° C [122° F]

The function diagrams data is for average performance of randomly selected motors at back pressure 5-10 bar [72.5-145 PSI] and oil viscosity of 32 mm²/s [150 SUS] at 50° C [122° F]

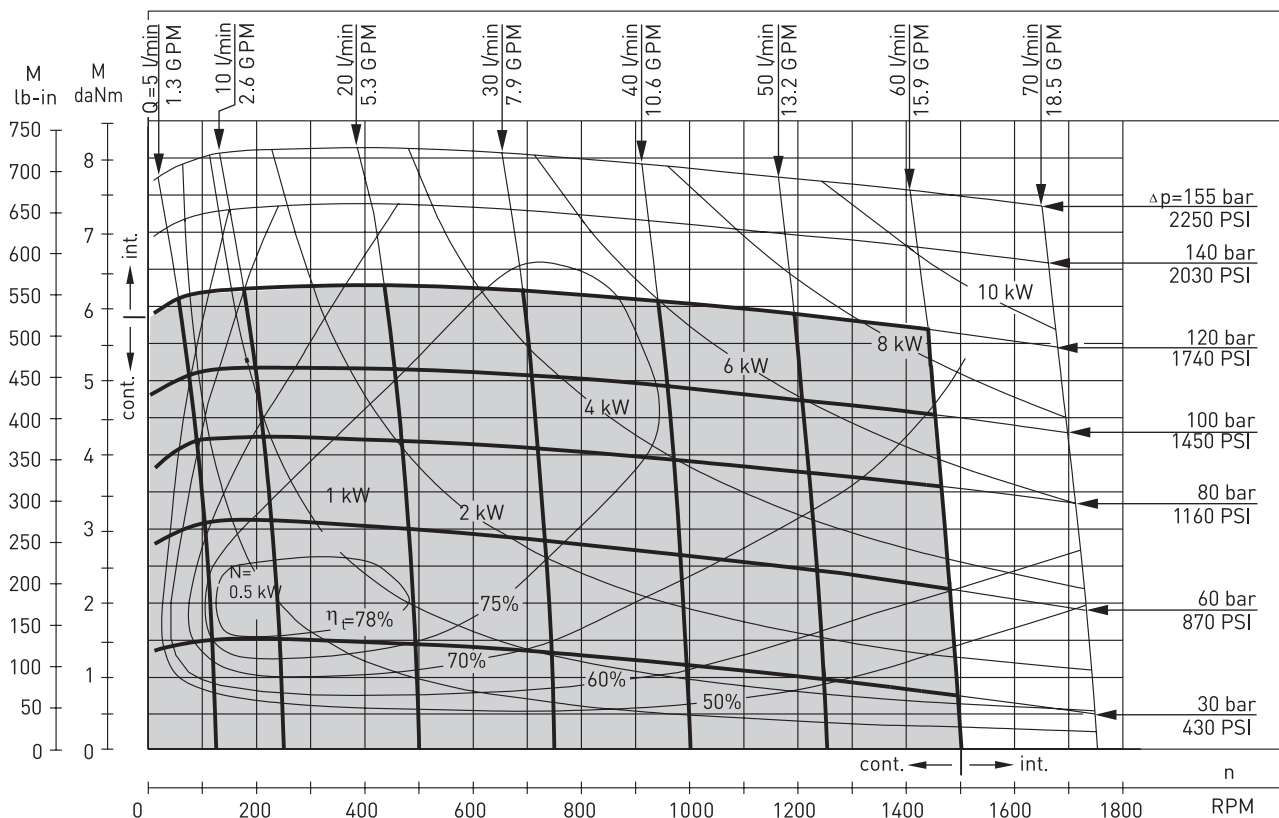
EPM 32



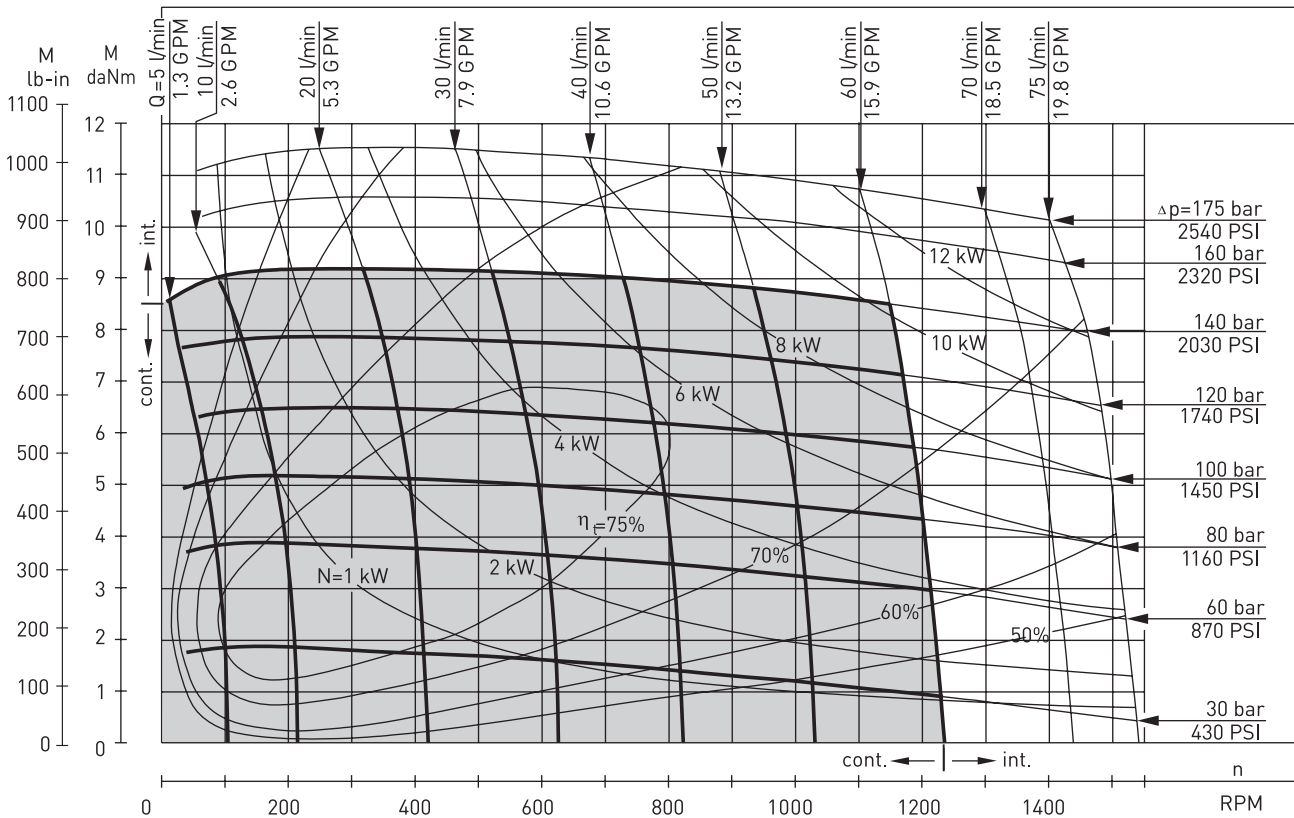
Die Leistungsdiagramme werden bei einem Rücklaudruck von 5-10 bar [72.5-145 PSI] erreicht. Kinematische Viskosität des Hydrauliköls 32 mm²/s [150 SUS] bei 50° C [122° F]

The function diagrams data is for average performance of randomly selected motors at back pressure 5-10 bar [72.5-145 PSI] and oil viscosity of 32 mm²/s [150 SUS] at 50° C [122° F]

EPM 40



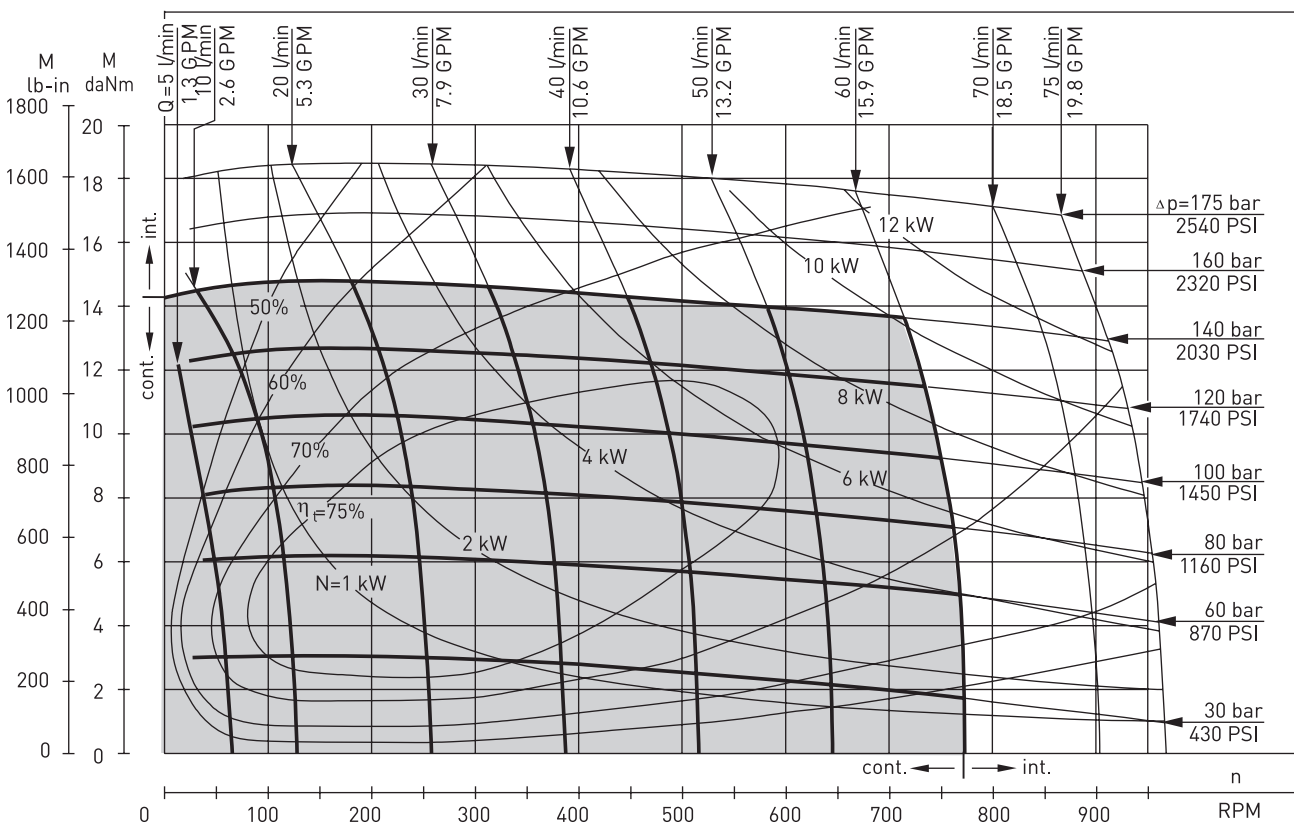
EPM 50



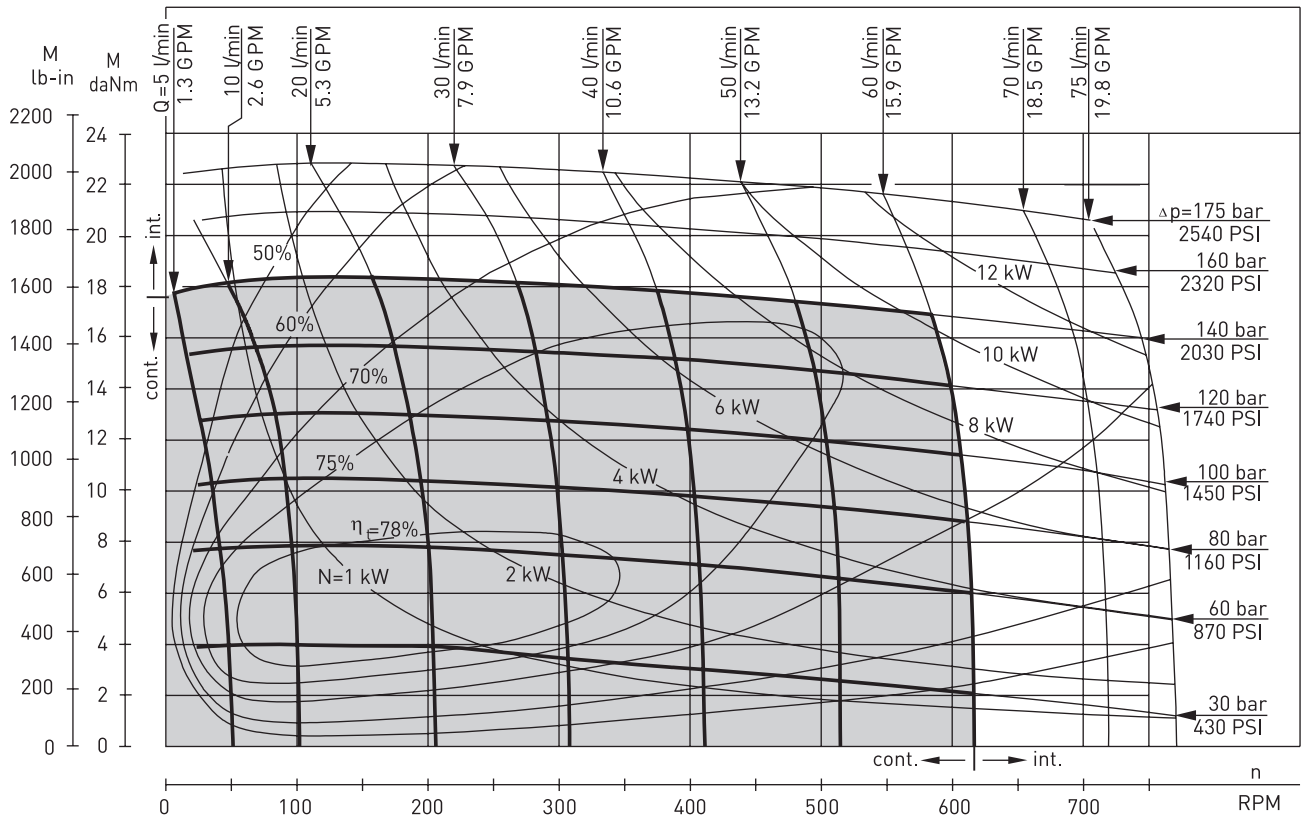
Die Leistungsdiagramme werden bei einem Rücklaufdruck von 5-10 bar [72.5-145 PSI] erreicht. Kinematische Viskosität des Hydrauliköls 32 mm²/s [150 SUS] bei 50° C [122° F]

The function diagrams data is for average performance of randomly selected motors at back pressure 5-10 bar [72.5-145 PSI] and oil viscosity of 32 mm²/s [150 SUS] at 50° C [122° F]

EPM 80



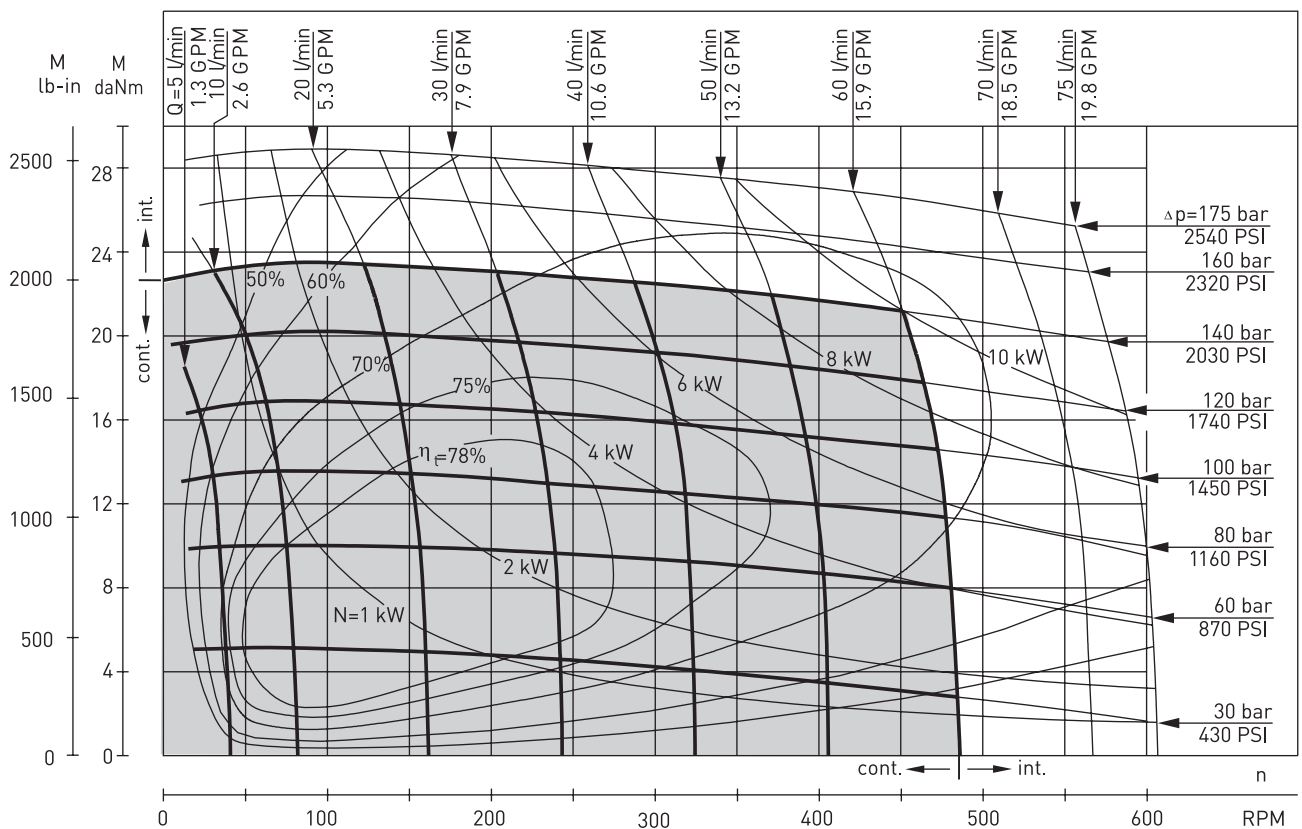
EPM 100



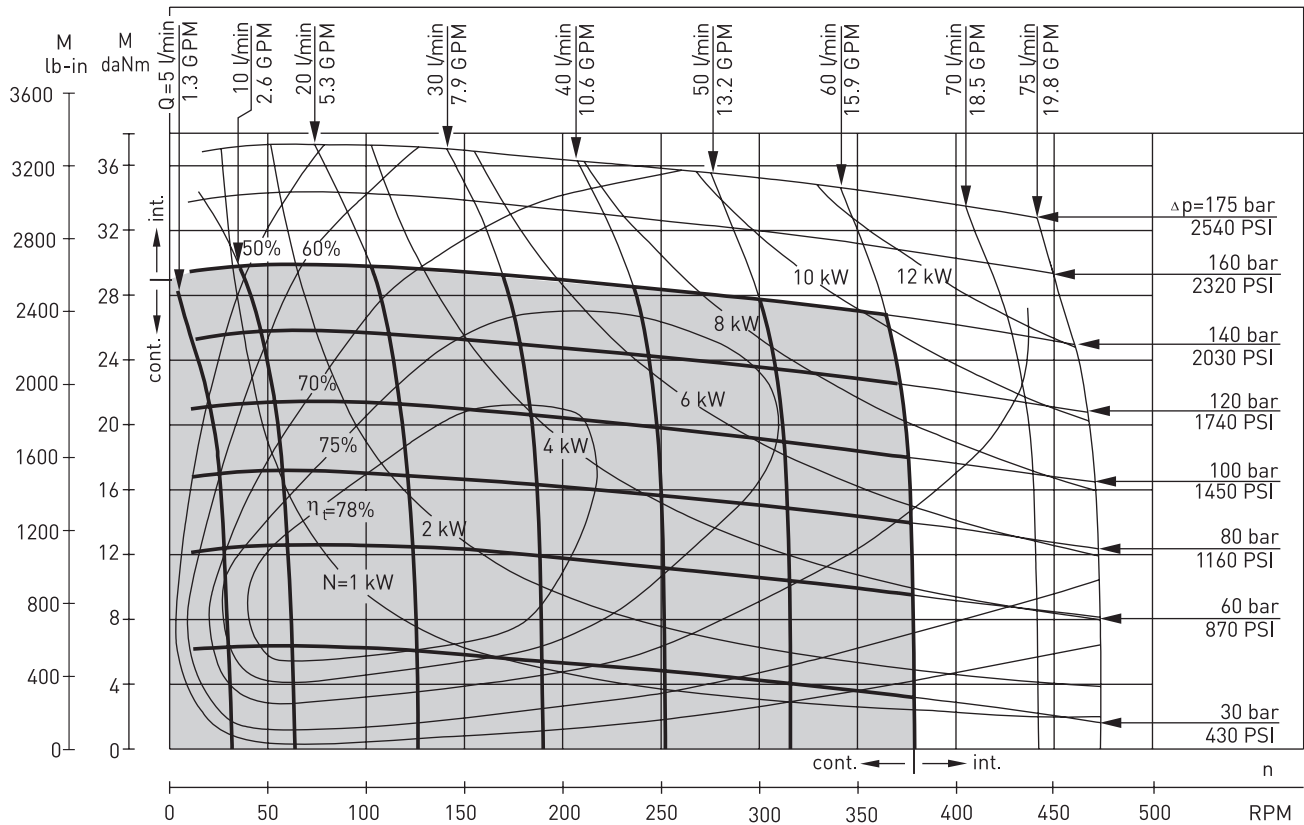
Die Leistungsdiagramme werden bei einem Rücklaufdruck von 5-10 bar [72.5-145 PSI] erreicht. Kinematische Viskosität des Hydrauliköls 32 mm²/s [150 SUS] bei 50° C [122° F]

The function diagrams data is for average performance of randomly selected motors at back pressure 5-10 bar [72.5-145 PSI] and oil viscosity of 32 mm²/s [150 SUS] at 50° C [122° F]

EPM 125



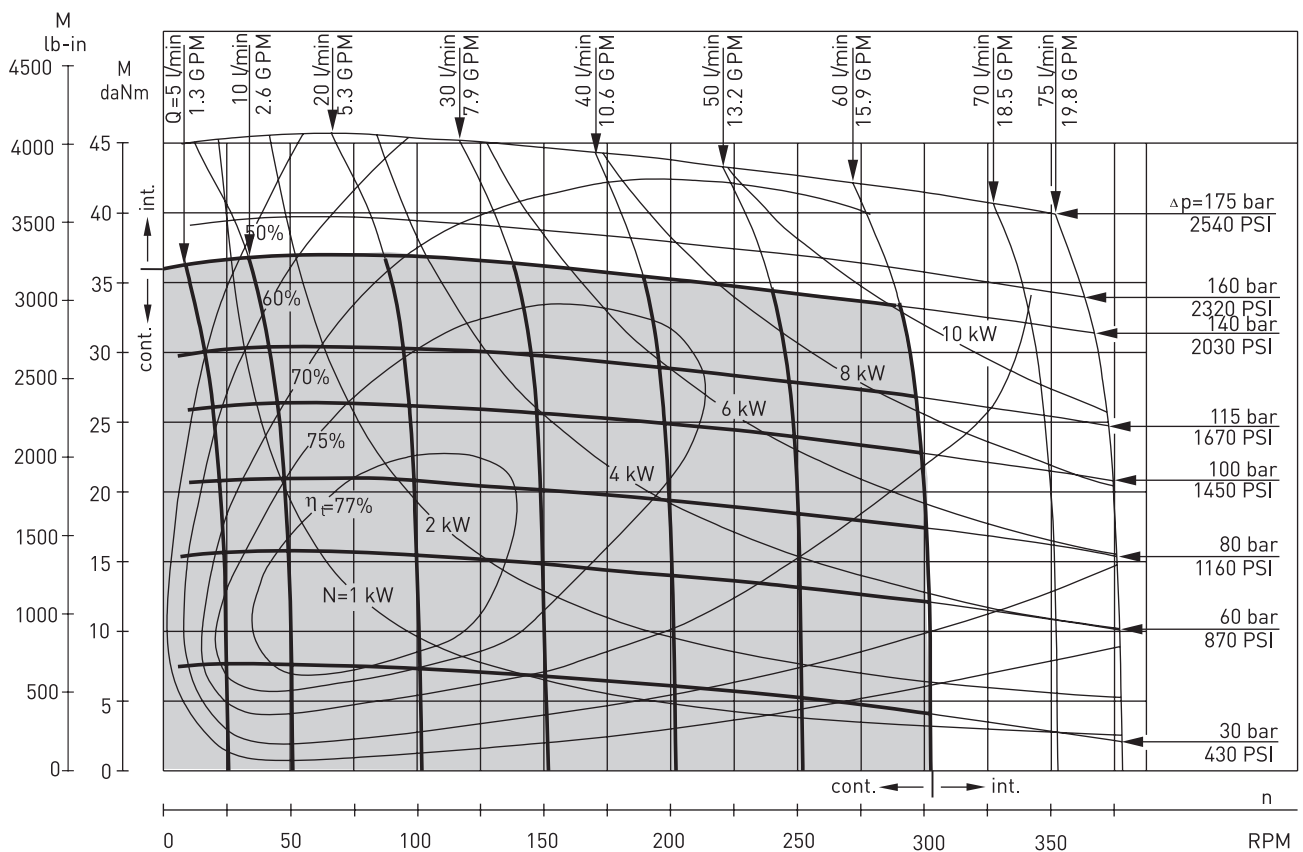
EPM 160



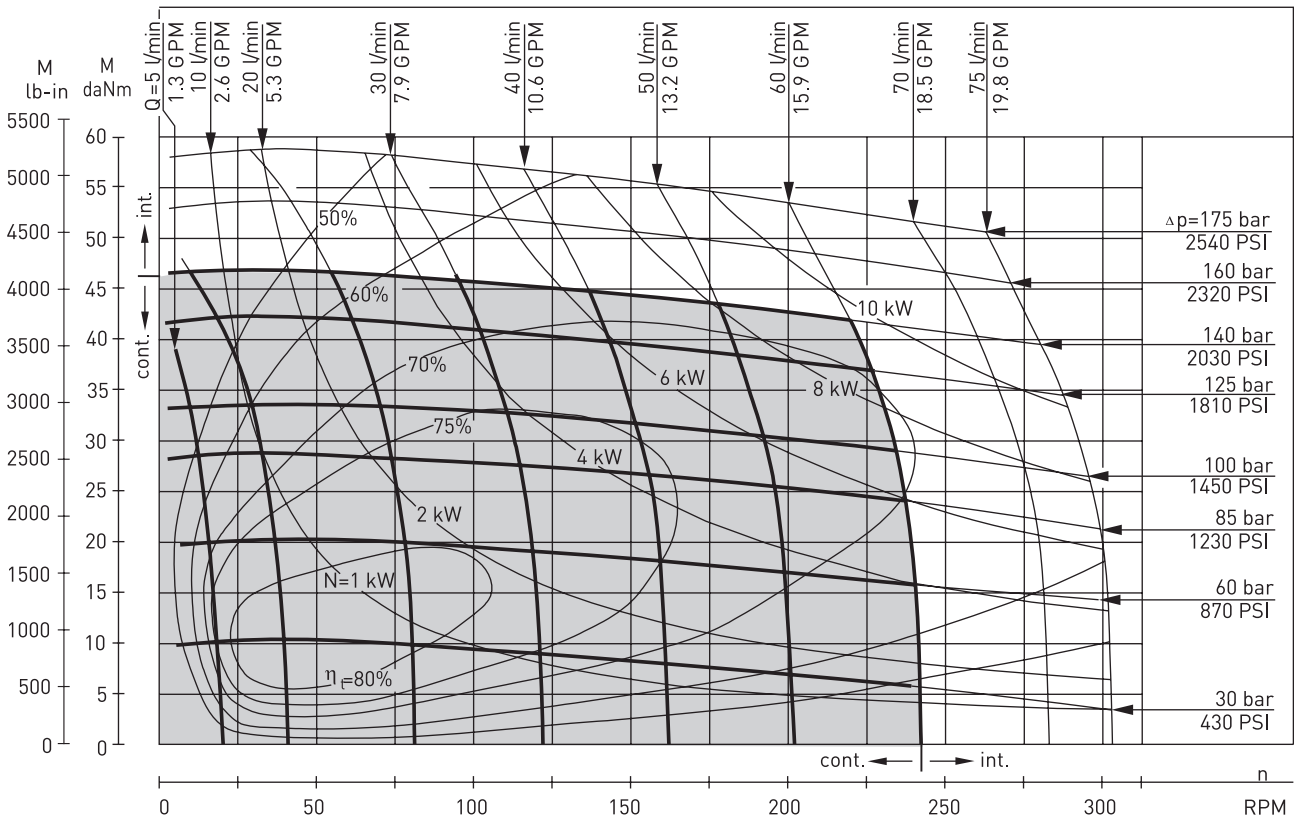
Die Leistungsdiagramme werden bei einem Rücklaufdruck von 5-10 bar [72.5-145 PSI] erreicht. Kinematische Viskosität des Hydrauliköls 32 mm²/s [150 SUS] bei 50° C [122° F]

The function diagrams data is for average performance of randomly selected motors at back pressure 5-10 bar [72.5-145 PSI] and oil viscosity of 32 mm²/s [150 SUS] at 50° C [122° F]

EPM 200



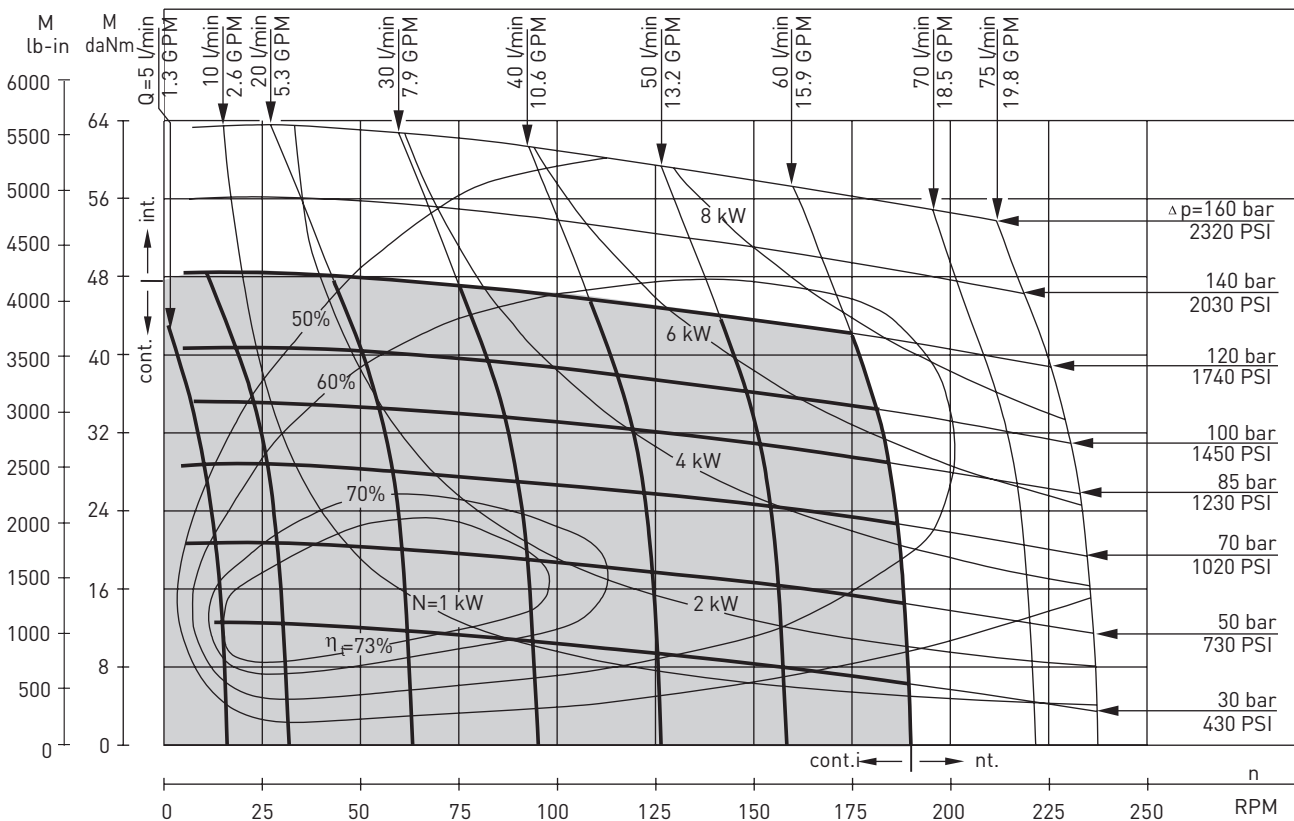
EPM 250



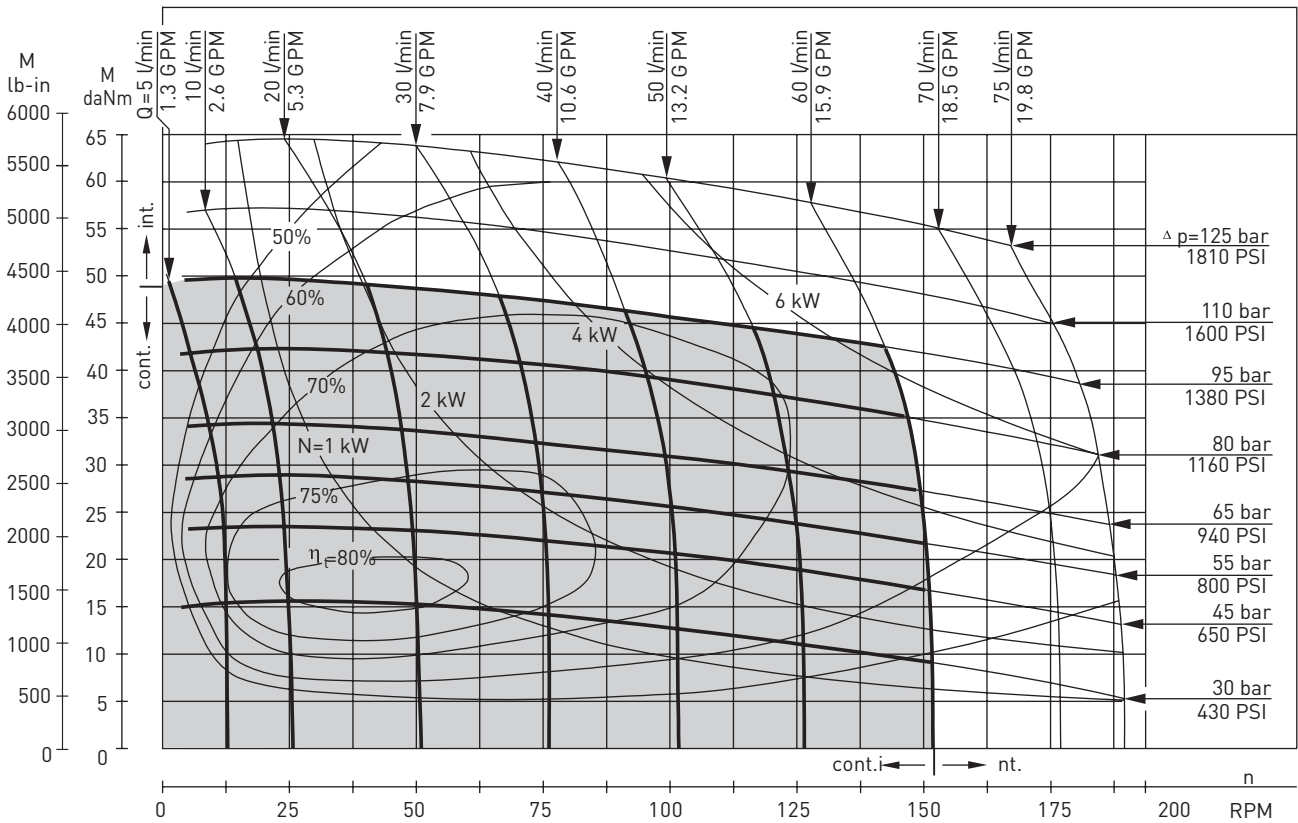
Die Leistungsdiagramme werden bei einem Rücklaufdruck von 5-10 bar [72.5-145 PSI] erreicht. Kinematische Viskosität des Hydrauliköls 32 mm²/s [150 SUS] bei 50° C [122° F]

The function diagrams data is for average performance of randomly selected motors at back pressure 5-10 bar [72.5-145 PSI] and oil viscosity of 32 mm²/s [150 SUS] at 50° C [122° F]

EPM 315



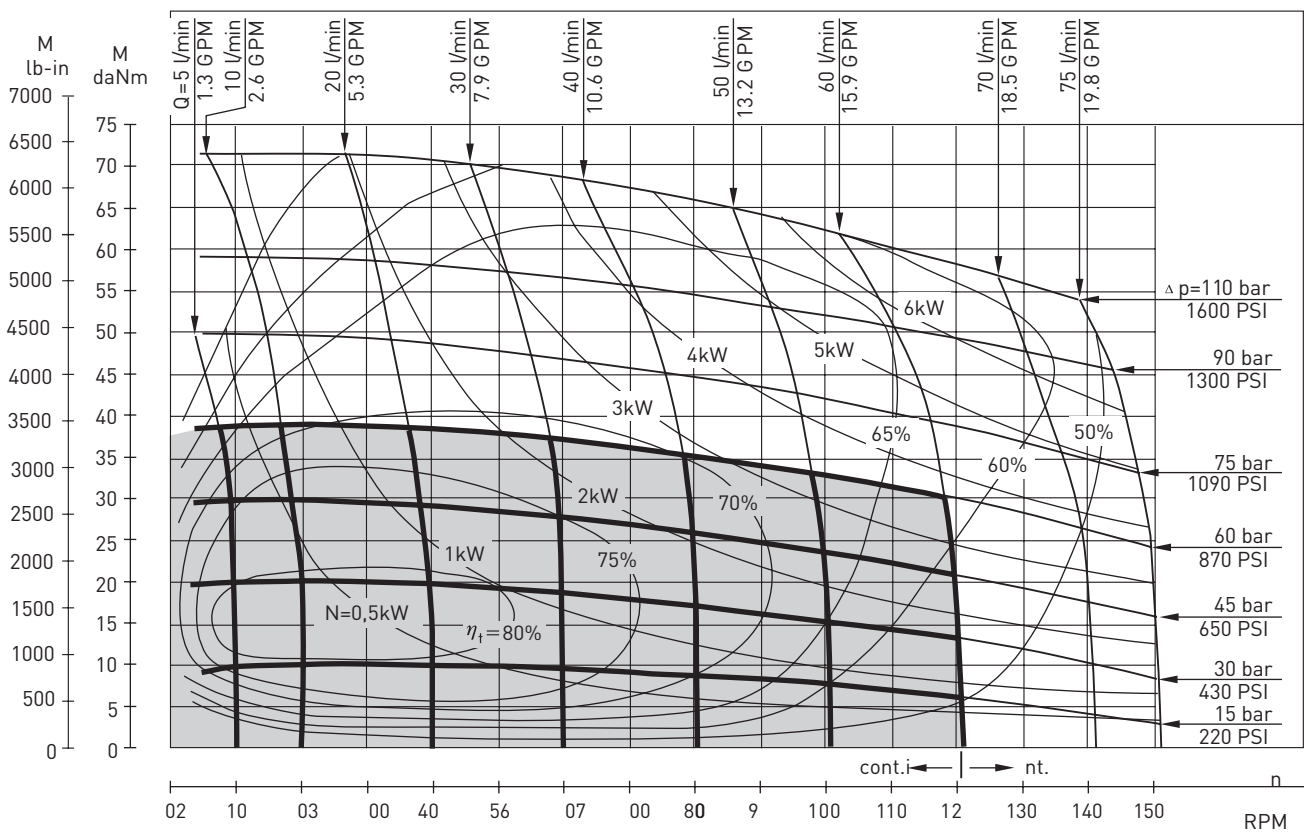
EPM 400



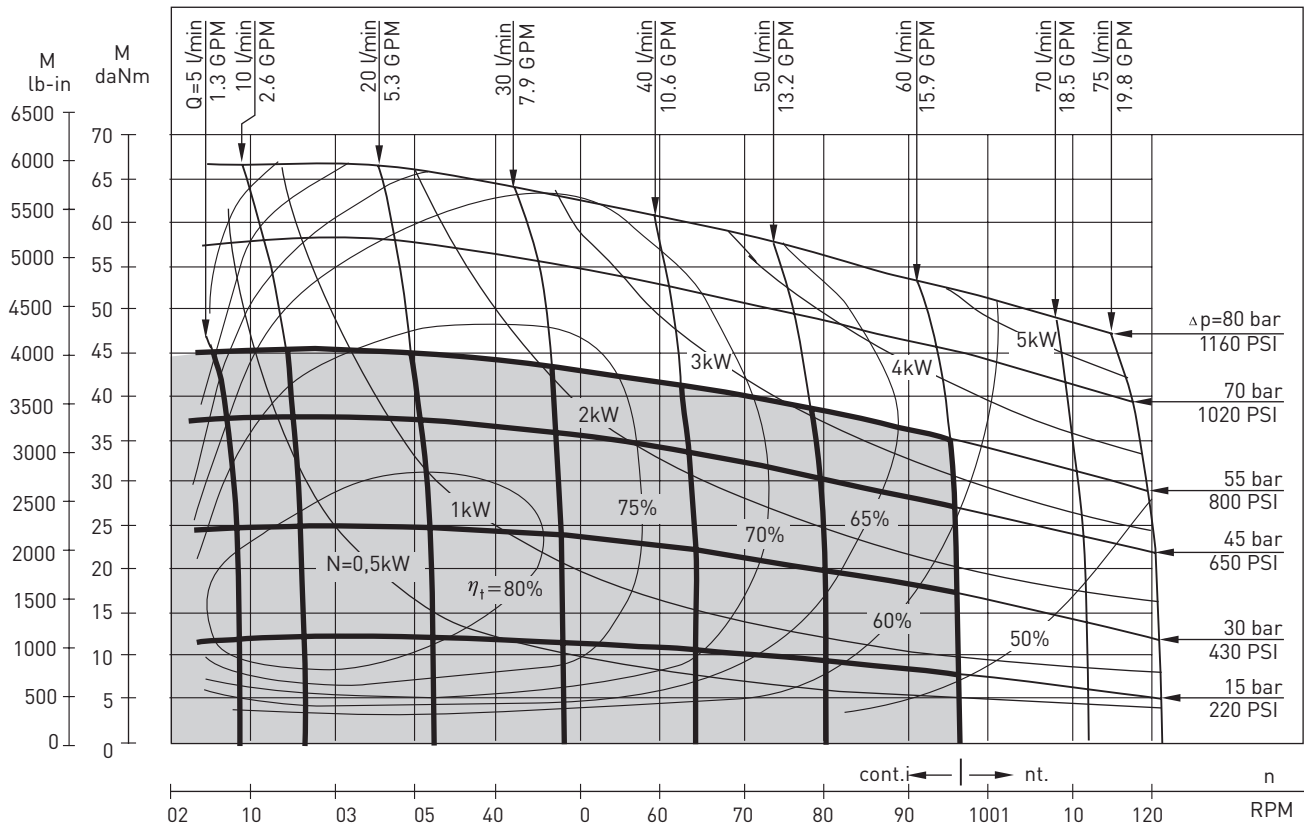
Die Leistungsdiagramme werden bei einem Rücklaufdruck von 5-10 bar [72.5-145 PSI] erreicht. Kinematische Viskosität des Hydrauliköls 32 mm²/s [150 SUS] bei 50° C [122° F]

The function diagrams data is for average performance of randomly selected motors at back pressure 5-10 bar [72.5-145 PSI] and oil viscosity of 32 mm²/s [150 SUS] at 50° C [122° F]

EPM 500



EPM 630



Die Leistungsdiagramme werden bei einem Rücklaufdruck von 5-10 bar [72.5-145 PSI] erreicht. Kinematische Viskosität des Hydrauliköls 32 mm²/s [150 SUS] bei 50° C [122° F]

The function diagrams data is for average performance of randomly selected motors at back pressure 5-10 bar [72.5-145 PSI] and oil viscosity of 32 mm²/s [150 SUS] at 50° C [122° F]